

www.ruiyultd.com

RUIYU
EXPERT IN LIGHTING SOLUTION

Ruiyu Limited

Address: Building C, Baoshi Science and Technology Park, Baoshi Road,
Baoan District 518108, Shenzhen, China
Email: joe.qiao@ruiyultd.com
Tel: 0086-153 6100 7423
Skype: joeqiao.ruiyu

Innovative Lighting



RUIYU
LIVING IN THE FUTURE

OPTICAL SPACE MASTER

"Light is in space, just like sound is in time, and is best at expressing its vitality."

Art of modern indoor light is not just a lighting design. Relying on light to convey the idea of the designer is not just a model. The designer broke the concept of shape and blurred the contour boundary between the work and the space.



LIGHT FOR THE FUTURE

Casting Light Into The Darkest Shadows
Exploring A Different Future



For travelers, the unknown forest is the boundary.
For explorers, the vast universe is the boundary.
For optical artists, art and science are the two ends and the boundaries of optics.

the future of light means breaking borders and integrating innovation, but merge and present. One side of the excellent works will be science and the other side will be art. Light is no longer a rigorous lighting design, but also an aesthetic expression of home personality.



Encounter the Beauty of Craftsmanship

Rousseau once said that in all human professions, craftsman is the oldest and most upright. Technology plays the most important role in the growth of human beings. In the manufacture of goods, touch, vision and brains are coordinated by hand, and the body and mind are integrated, so that people can grow healthily. In this time-consuming, cross-domain and cross-generational skill, there are generations of craftsmen who stick to and concentrate on picking up the memory of their bodies and tools and touching the real life.

From Modern Design To Craftsmanship

In the exquisite craftsmanship, there are both modern production techniques and pure handicrafts. From the inspiration to the final presentation of the works, each pieces works of RUIYU lighting through 73 processes of production and tests. Every process is indispensable.



Wonderful

In the exquisite craft, there are not only modern production technology, but also pure handicraft technology. From the inspiration to the final presentation of the works, each pieces works of RUIYU lighting through 73 processes of production and tests. Every process is indispensable.



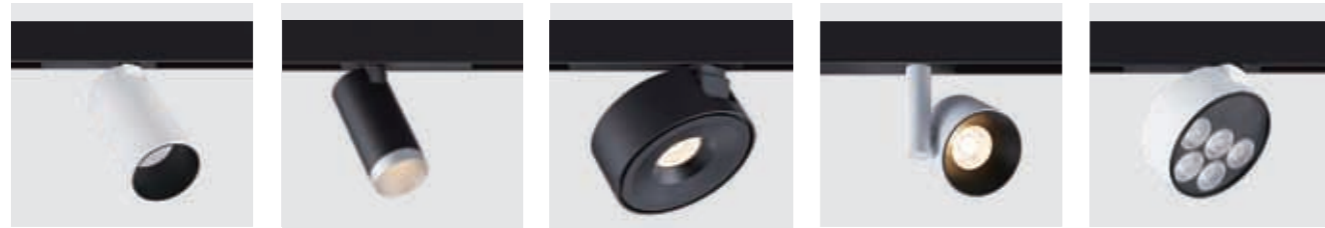
ABOUT US

Ruiyu, established in 2013, is a supplier and notable dealer in the LED modern lighting industry whose business scope covers 130 countries and cities globally. By virtue of the profound commercial accomplishments of both the founder and the team. Ruiyu has offered the idea of optical art since inception, integrated light source designs and lighting designs. and combined the functions of lighting with art.

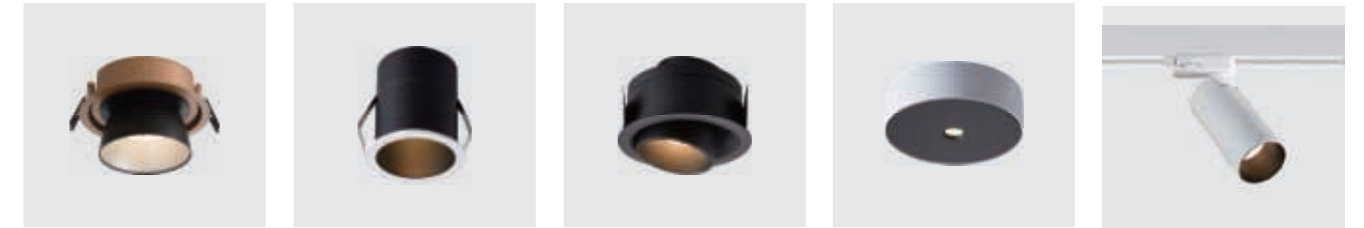
Ruiyu's headquarters is located in Shenzhen, National Hi-Tech Zone in Guangdong. With a production base larger than 10000 square meters that meets international standards, it is also favored with a quality management system with five levels and a scientific, systematic marking management mode. Ruiyu has set up R&D offices in Denmark and Italy, gathered hundreds of lighting R&D experts and has been certified by ISO9001:2000 international quality system, CE, ROHS, FCC, CCC and other domestic and international authorities. Equipped with a complete production line. The company has developed about 1000 products that fit into seven major categories: chandeliers, ceiling lamps, wall lamps, mirror lamps, desk lamps, floor and corner lamps, and bollards light in Commercial lighting. The company has been broadly applying its concepts of artistic lighting in households, hotels, and commercial areas. In 2018, Ruiyu developed the brand strategy "expert in lighting solution", which broadened our international vision and led us to seek for cooperation with international research institutes. All the while further exploring modes of expression in optical lighting design. Ruiyu also continued to pursue innovating and applying new materials, new designs, and new techniques in optical art, pioneering a greater lighting and art.



INDEX



LMA3040R 015 LMA2041R 017 LMA6120R 019 LMA5080R 020 LMA8120R 021



RDS9003NR 065 RDS2011NR 067 RDS7203DR 069 RWS8003NR 071 WIO3040R/T03 075



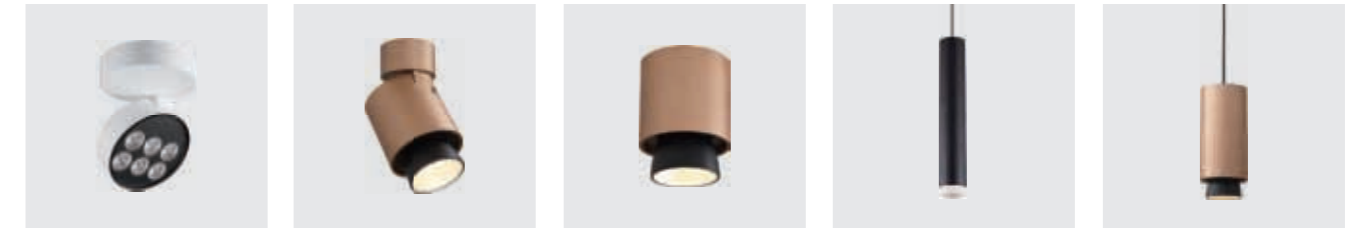
LMA9080R 023 LMD3060R 025 LMA2218S 027 LMB2223 029 LMA2206 031



NIO3060R/T23 077 PU8120R/T23 079 AB3060R/T03 081 CM3150NR 085 CM3100DR 087



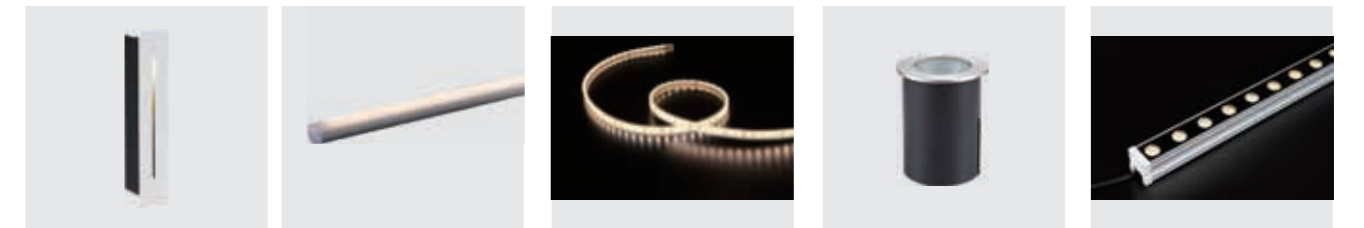
LMB2292S 033 LMA5030R 035 LMA9081R 037 RDS9803DR 041 RDS9803NR 043



CM8150DR 089 CM9100DR 091 CM9100NR 093 CP5030NR 097 CP9081NR 099



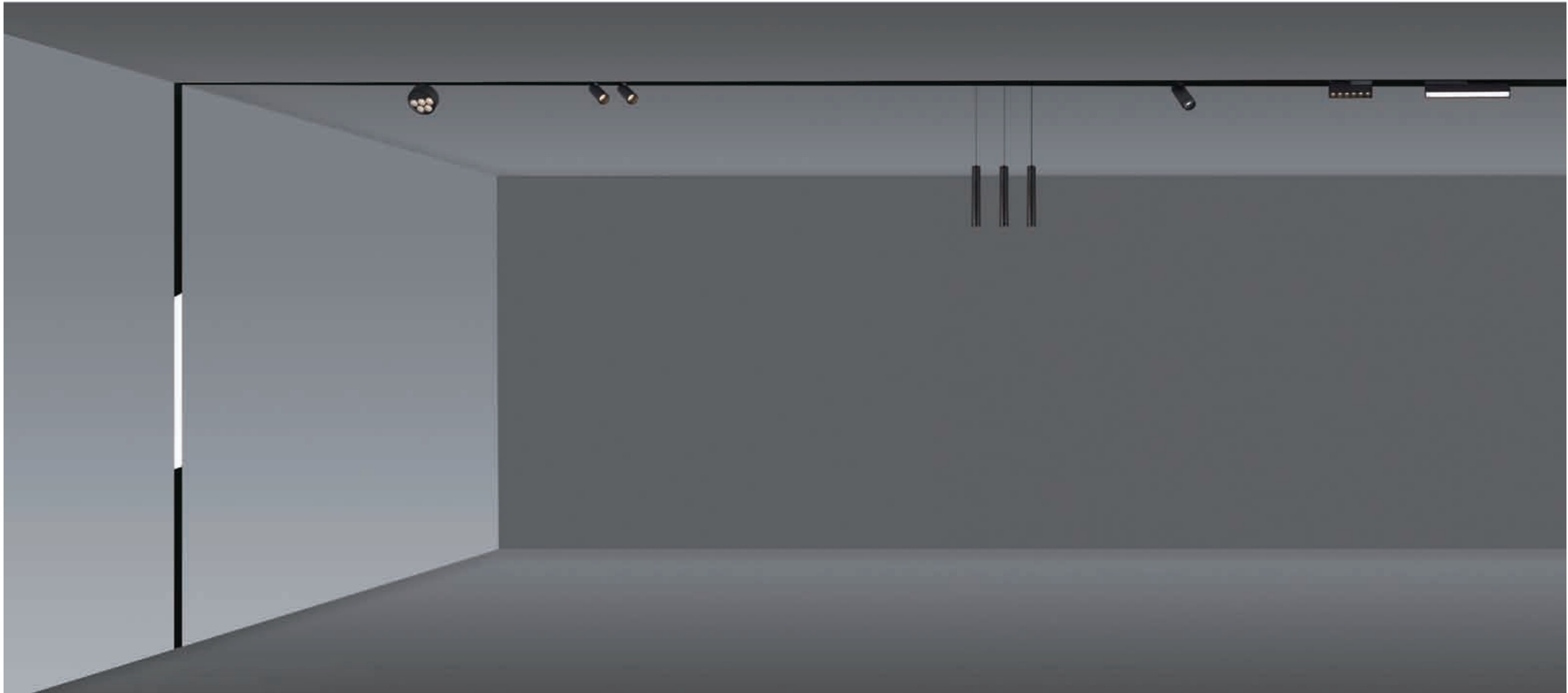
SDS9803DSW 045 SDS9803NSW 047 SDD9823DS 049 RDS3003RR 051 SDT5033NS 053



FSI420NS 101 BG1515R 103 STR1096 107 GDO3090NR 113 CAB3818S 115



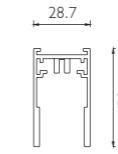
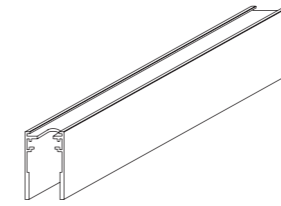
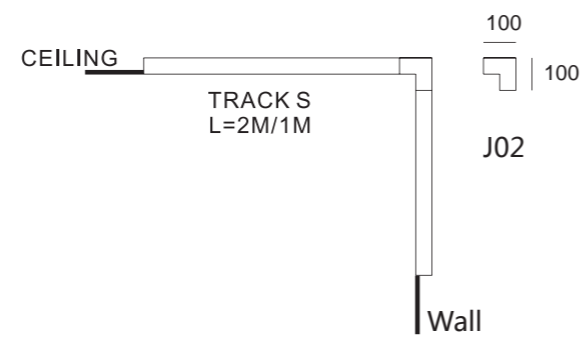
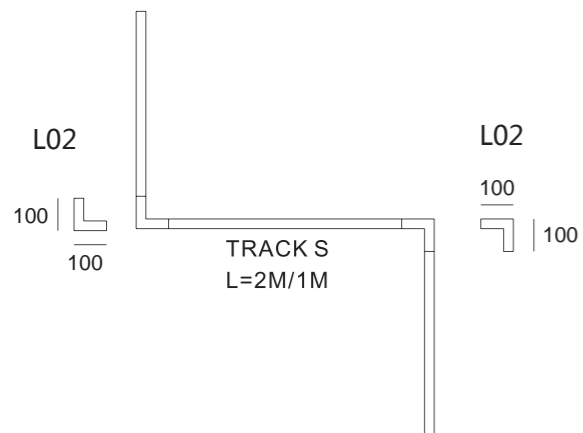
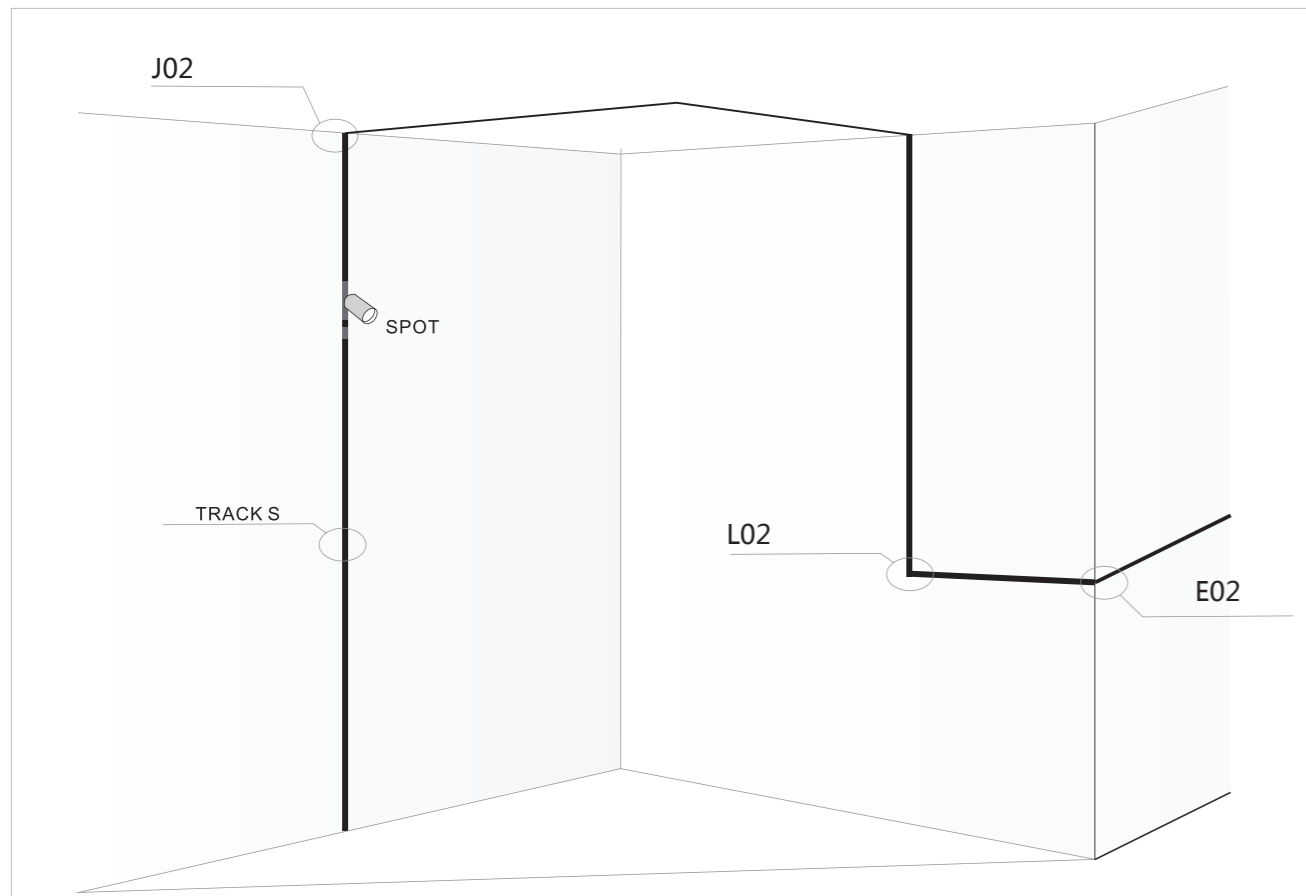
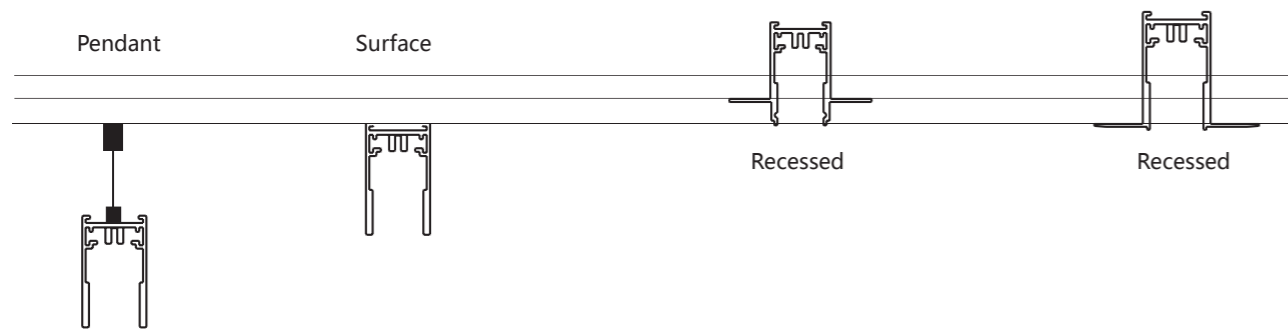
SDS4005NS 055 SDS3203NS 057 RDS9603NR 059 RDSW9603NR 061 RDS8503NR 063



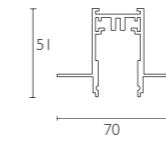
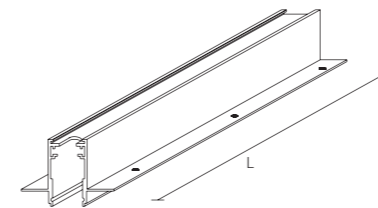
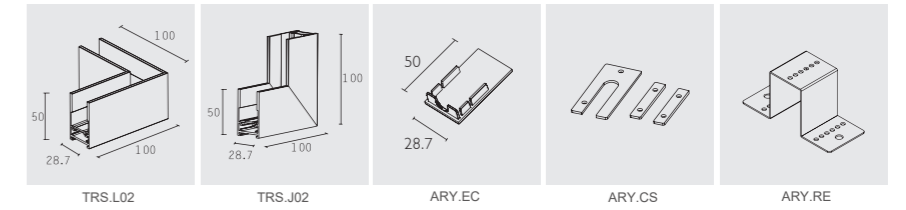
MAGNET SYSTEM series



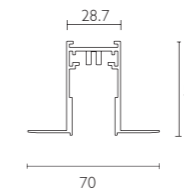
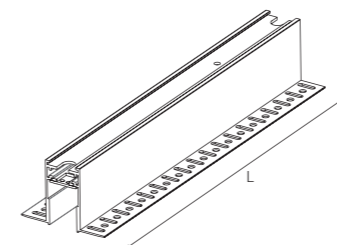
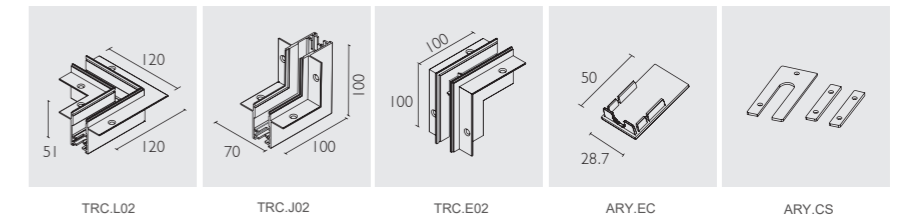
DC48V Magnetic Track System
ON/OFF



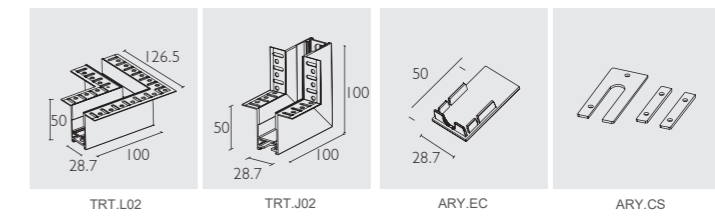
Type	Size
TRS.1M	1000mm
TRS.2M	2000mm

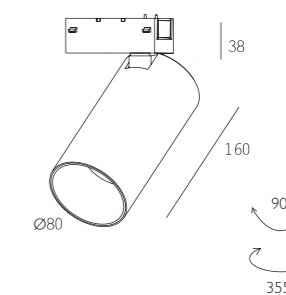
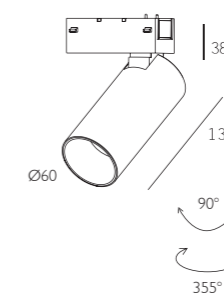
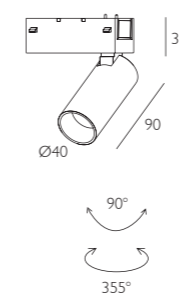


Type	Size
TRC.1M	1000mm
TRC.2M	2000mm



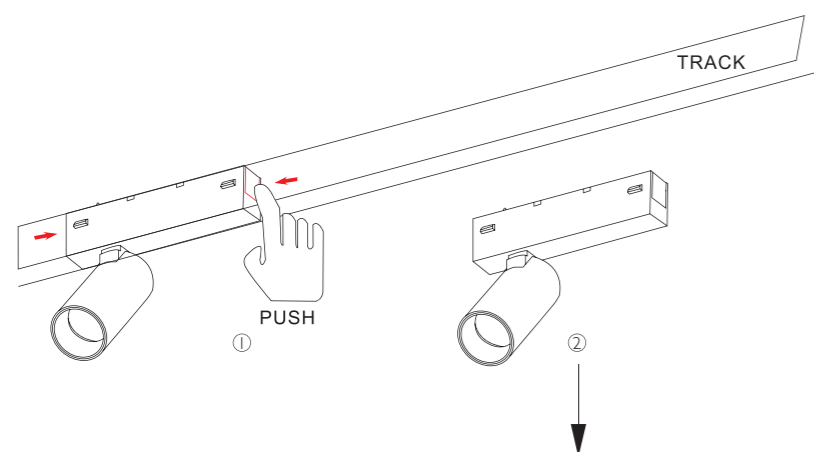
Type	Size
TRT.1M	1000mm
TRT.2M	2000mm

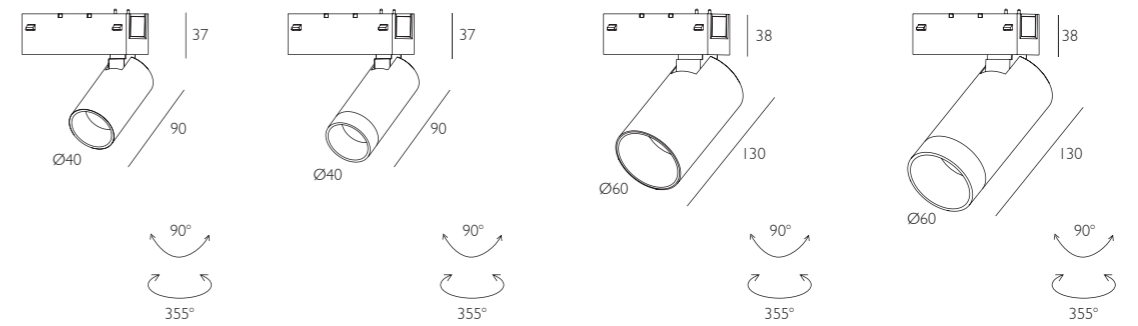




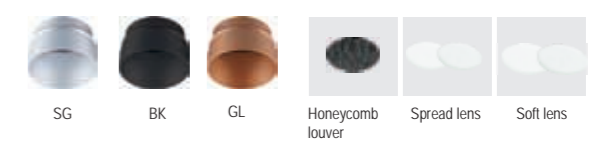
	LMA3040DR	LMA3060DR	LMA3080DR
CRI 90	LED 5W/380lm	LED 12W /1000lm	LED 18W /1600lm
2700K	LENS Δ 15° 24° 36°	LENS Δ 12° 24° 36°	LENS Δ 12° 24° 36°
3000K	ADJUSTABLE 0-90°/ 355°	ADJUSTABLE 0-90°/ 355°	ADJUSTABLE 0-90°/ 355°
4000K	DC 24V/48V	DC 24V/48V	DC 24V/48V
5000K	IP20	IP20	IP20
	NON DIM	NON DIM	NON DIM

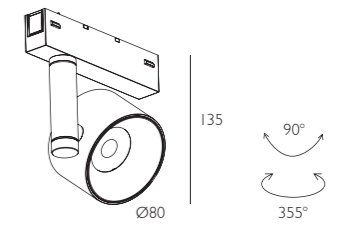
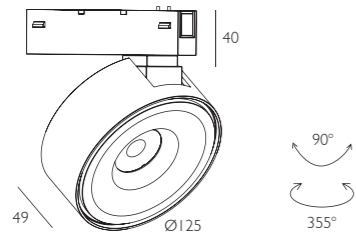
Safety card clasp





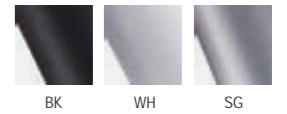
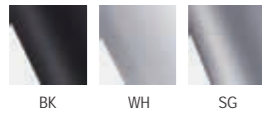
	LMA2040R	LMA2041R	LMA2060R	LMA2061R
CRI 90				
2700K	LED 5W /380lm	LED 5W /380lm	LED 12W /1000lm	LED 12W /1000lm
3000K	LENS Δ 15° 24° 36°	LENS Δ 15° 24° 36°	LENS Δ 12° 24° 36°	LENS Δ 12° 24° 36°
4000K	ADJUSTABLE 0-90°/ 355°	ADJUSTABLE 0-90°/ 355°	ADJUSTABLE 0-90°/ 355°	ADJUSTABLE 0-90°/ 355°
5000K	DC 24V/48V	DC 24V/48V	DC 24V/48V	DC 24V/48V
	IP20	IP20	IP20	IP20
	NON DIM	NON DIM	NON DIM	NON DIM

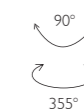
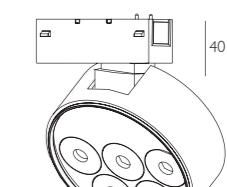
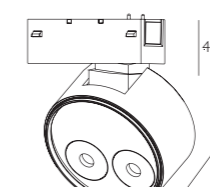
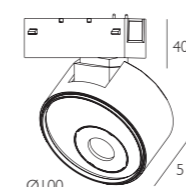




CRI 90	LMA6120R
2700K	LED 12W /1000lm
3000K	LENS Δ 12° 24° 36°ADJUSTABLE
4000K	0-90°/ 355°
5000K	DC 24V/48V
	IP20
	NON DIM

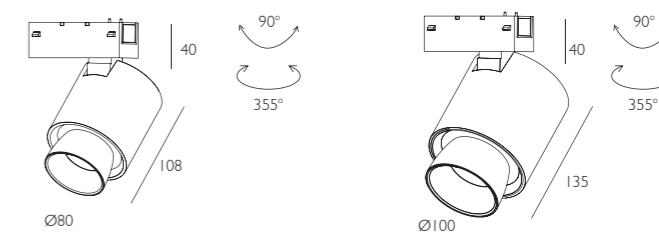
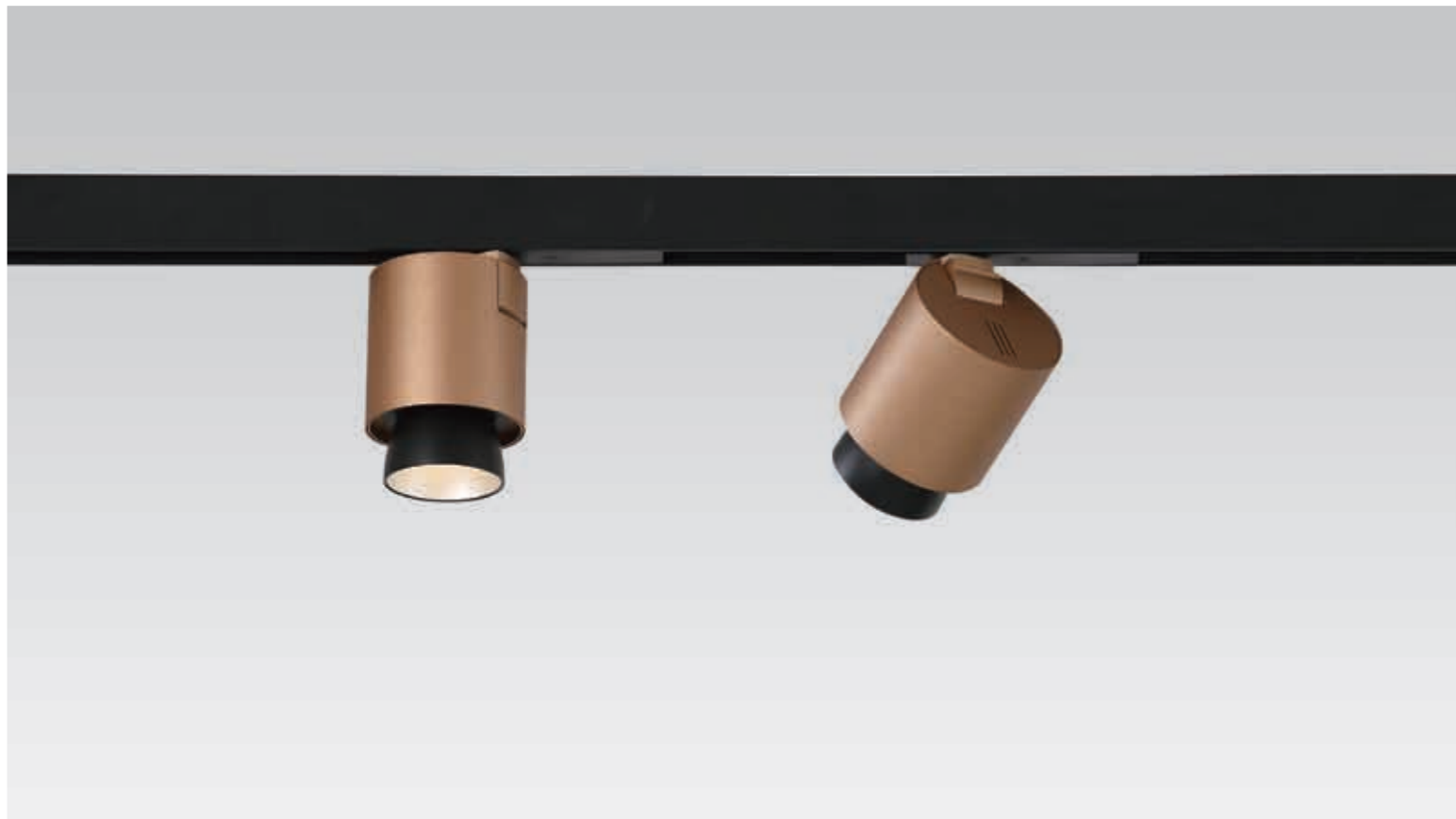
CRI 90	LMA5080R
2700K	LED 12W /1000lm
3000K	LENS Δ 12° 24° 36°ADJUSTABLE
4000K	0-90°/ 355°
5000K	DC 24V/48V
	IP20
	NON DIM





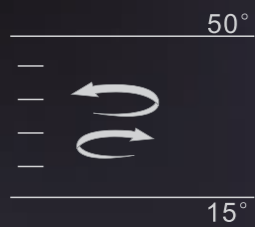
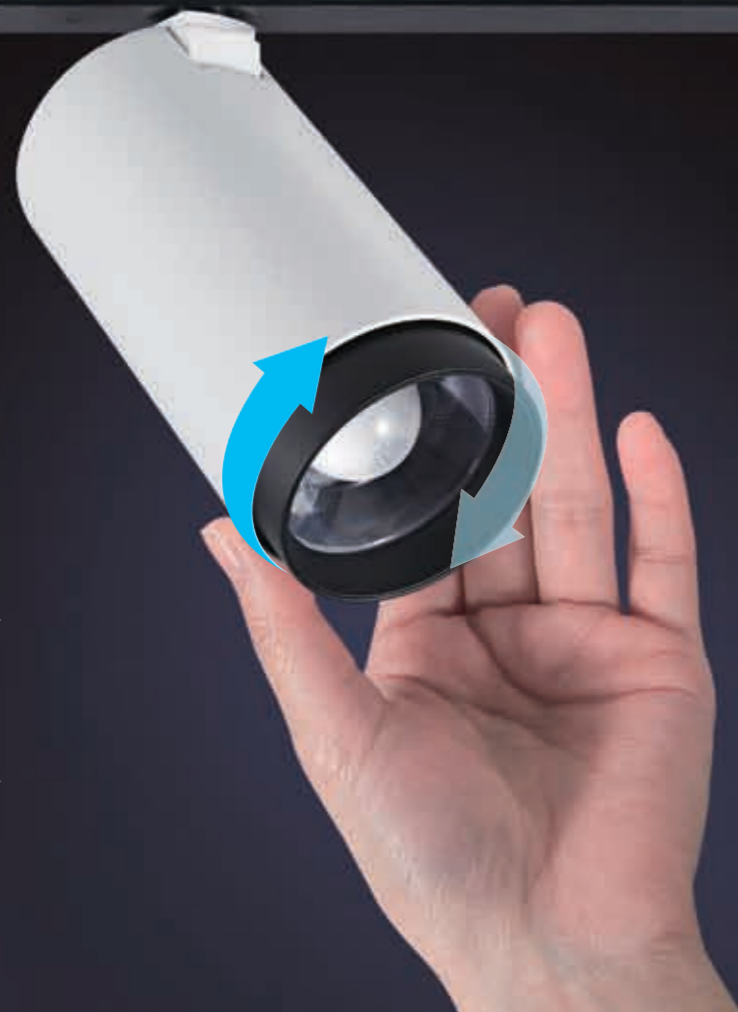
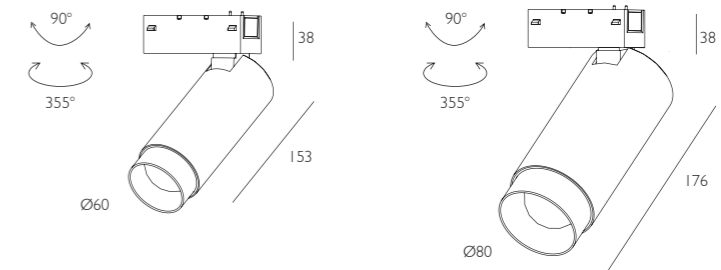
	LMA8101R	LMA8100R	LMA8120R
CRI 90			
2700K	LED 12W /1000lm	LED 12W /1000lm	LED 25W /2300lm
3000K	LENS Δ 15° 24° 36°	LENS Δ 15° 24° 36°	LENS Δ 15° 24° 36°
4000K	ADJUSTABLE 0-90°/355°	ADJUSTABLE 0-90°/355°	ADJUSTABLE 0-90°/355°
5000K	DC 24V/48V	DC 24V/48V	DC 24V/48V
	IP20	IP20	IP20
	NON DIM	NON DIM	NON DIM



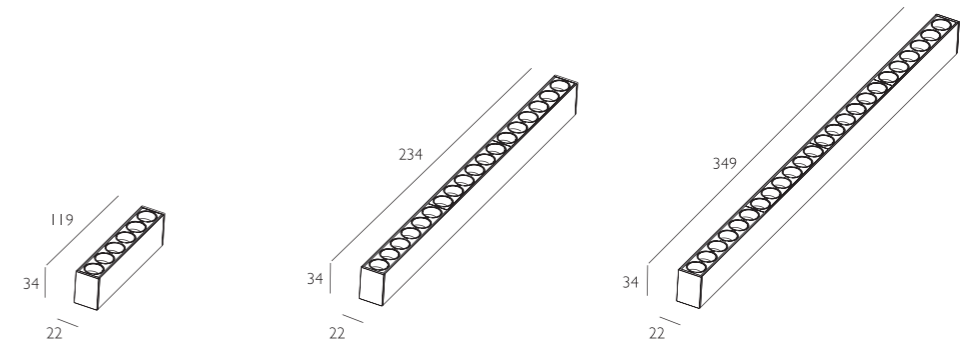


	LMA9080R	LMA9100R
CRI 90		
2700K	LED 12W /1000lm	LED 18W /1600lm
3000K	LENS Δ 12° 24° 36°	LENS Δ 12° 24° 36°
4000K	ADJUSTABLE 0-90° / 355°	ADJUSTABLE 0-90° / 355°
5000K	DC 24V/48V	DC 24V/48V
	IP20	IP20

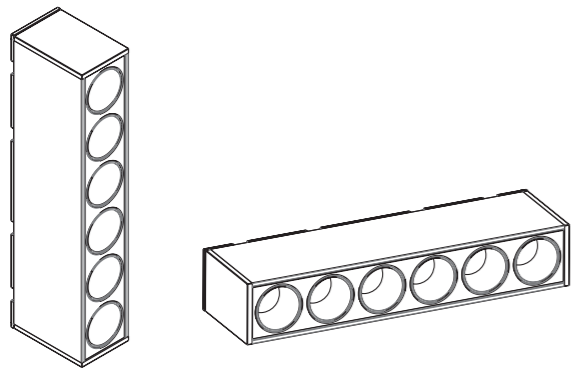
Beam angle Changeable Spot Light



	LMD3060R	LMD3080R
CRI 90	LED 5W /450lm	LED 18W /1600lm
2700K	LENS Δ 15°-50°	LENS Δ 12°-55°
3000K	ADJUSTABLE 0-90°/355°	ADJUSTABLE 0-90°/355°
4000K	DC 24V/48V	DC 24V/48V
5000K	IP20	IP20
	NON DIM	NON DIM



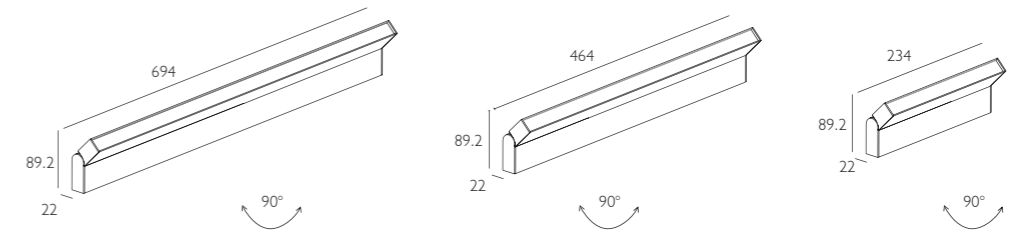
	LMA2206S	LMA2212S	LMA2218S
CRI 90	LED 1Wx6 /500lm	LED 1Wx12 /1000lm	LED 1Wx18 /1600lm
2700K	LENS Δ 15° 20° 30°	LENS Δ 15° 20° 30°	LENS Δ 15° 20° 30°
3000K	NO ADJUSTABLE	NO ADJUSTABLE	NO ADJUSTABLE
4000K	DC 24V/48V	DC 24V/48V	DC 24V/48V
5000K	IP20	IP20	IP20
	NON DIM TRAC 1-10V	NON DIM TRAC 1-10V	NON DIM TRAC 1-10V















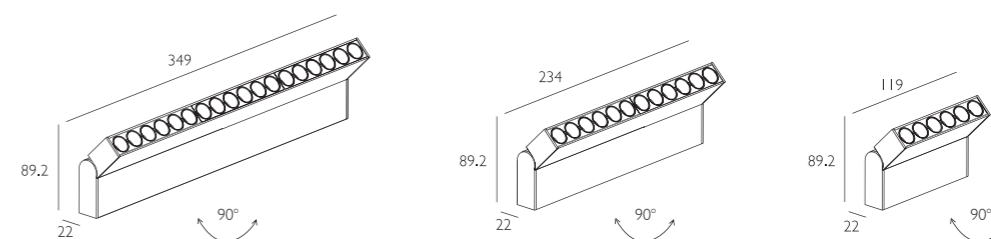


Order / Strictness / Line

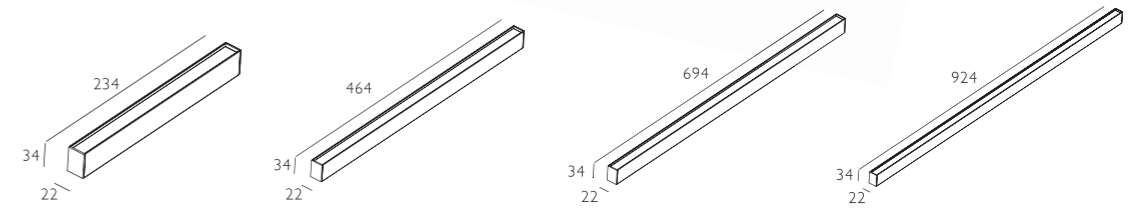
The scientific rigor of commercial lighting is explained by the sense of rectangular regularity.



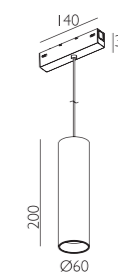
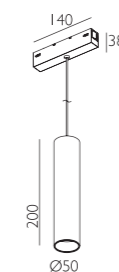
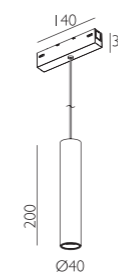
	LMB2269S	LMB2246S	LMB2223S
CRI 90	LED 21.6W /1500lm	LED 14.4W /1000lm	LED 7.2W /500lm
2700K	LENS Δ 100°	LENS Δ 100°	LENS Δ 100°
3000K	ADJUSTABLE 0-90°	ADJUSTABLE 0-90°	ADJUSTABLE 0-90°
4000K	DC 24V/48V	DC 24V/48V	DC 24V/48V
5000K	 IP20	 IP20	 IP20
	  	  	  



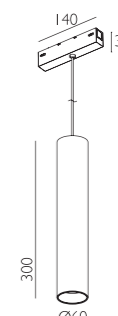
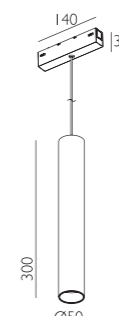
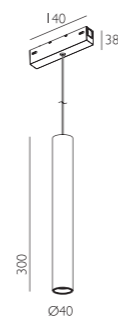
	LMA2218S	LMA2212S	LMA2206S
CRI 90			
2700K	LED 1Wx18 /1600lm	LED 1Wx12 /1000lm	LED 1Wx6 /500lm
3000K	LENS Δ 15° 20° 30°	LENS Δ 15° 20° 30°	LENS Δ 15° 20° 30°
4000K	ADJUSTABLE 0-90°	ADJUSTABLE 0-90°	ADJUSTABLE 0-90°
5000K	DC 24V/48V	DC 24V/48V	DC 24V/48V
	IP20	IP20	IP20



	LMB2223S	LMB2246S	LMB2269S	LMB2292S
CRI 90	LED 7.2W /500lm	LED 14.4W /1000lm	LED 21.6W /1500lm	LED 28.8W /2000lm
2700K	LENS Δ 100°	LENS Δ 100°	LENS Δ 100°	LENS Δ 100°
3000K	NO ADJUSTABLE	NO ADJUSTABLE	NO ADJUSTABLE	NO ADJUSTABLE
4000K	DC 24V/48V	DC 24V/48V	DC 24V/48V	DC 24V/48V
5000K	IP20	IP20	IP20	IP20
	NON DIM TRAC 1-10V	NON DIM TRAC 1-10V	NON DIM TRAC 1-10V	NON DIM TRAC 1-10V

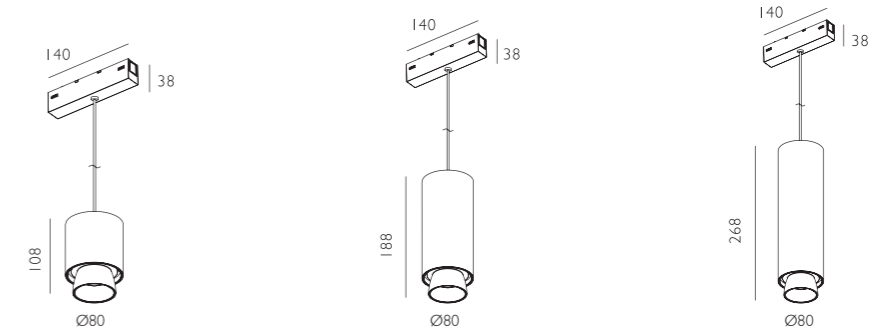


	LMA4020NR	LMA5020NR	LMA6020NR
CRI 90	LED 5W /380lm	LED 12W /1000lm	LED 12W /1000lm
2700K	LENS Δ 15° 24° 36°	LENS Δ 12° 24° 36°	LENS Δ 12° 24° 36°
3000K	NO ADJUSTABLE	NO ADJUSTABLE	NO ADJUSTABLE
4000K	DC 24V/48V	DC 24V/48V	DC 24V/48V
5000K	IP20	IP20	IP20
	NON DIM	NON DIM	NON DIM

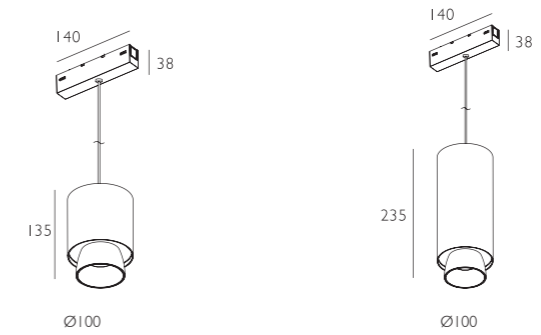


	LMA4030NR	LMA5030NR	LMA6030NR
CRI 90	LED 5W /380lm	LED 12W /1000lm	LED 12W /1000lm
2700K	LENS Δ 15° 24° 36°	LENS Δ 12° 24° 36°	LENS Δ 12° 24° 36°
3000K	NO ADJUSTABLE	NO ADJUSTABLE	NO ADJUSTABLE
4000K	DC 24V	DC 24V	DC 24V
5000K	IP20	IP20	IP20
	NON DIM	NON DIM	NON DIM



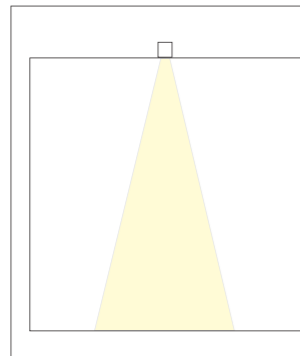


	LMA9080NR	LMA9081NR	LMA9082NR
CRI 90	LED 12W /1000lm	LED 12W /1000lm	LED 12W /1000lm
2700K	LENS Δ 12° 24° 36°	LENS Δ 12° 24° 36°	LENS Δ 12° 24° 36°
3000K	NO ADJUSTABLE	NO ADJUSTABLE	NO ADJUSTABLE
4000K	DC 24V/48V	DC 24V/48V	DC 24V/48V
5000K	IP20	IP20	IP20
	NON DIM	NON DIM	NON DIM

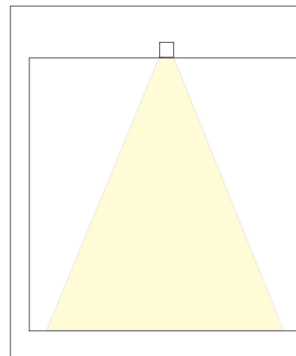


	LMA9100NR	LMA9101NR
CRI 90	LED 12W /1000lm	LED 12W /1000lm
2700K	LENS Δ 12° 24° 36°	LENS Δ 12° 24° 36°
3000K	NO ADJUSTABLE	NO ADJUSTABLE
4000K	DC 24V	DC 24V
5000K	IP20	IP20
	NON DIM	NON DIM

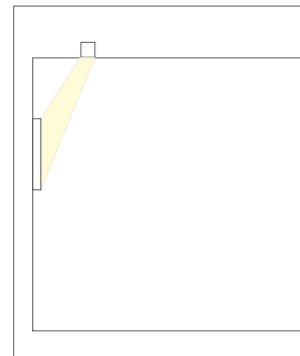
RECESSED CEILING LIGHT series



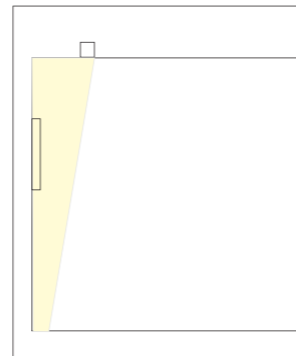
Accent Lighting



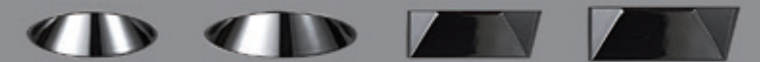
General Lighting

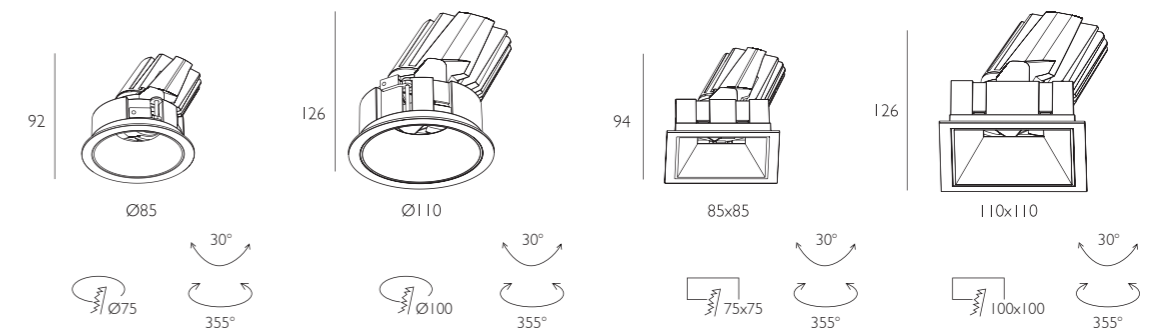


Adjustable Accent Lighting



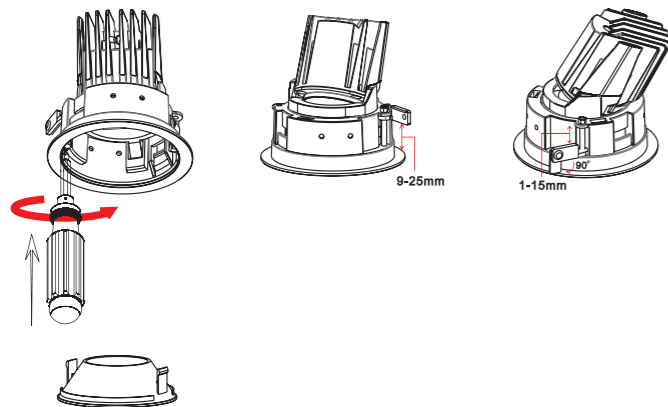
Wallwasher

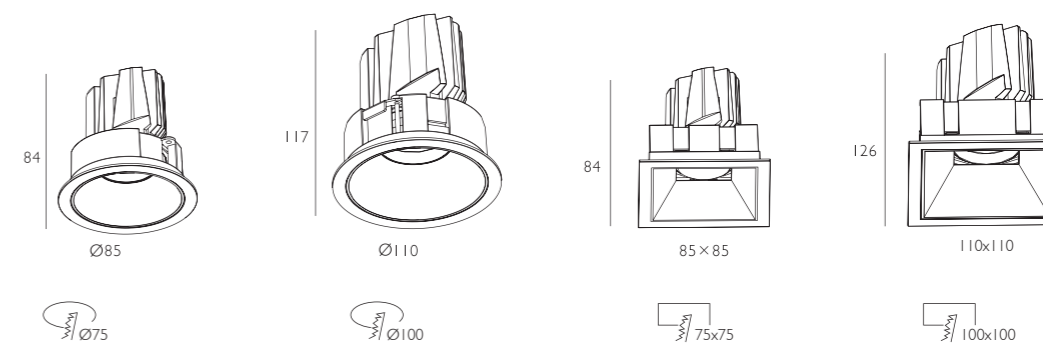




	RDS9803DR	RDS9804DR	SDS9803DS	SDS9804DS
CRI 90				
2700K	LED 7W /550lm	LED 12W /1000lm	LED 7W /550lm	LED 12W /1000lm
3000K	LENS Δ 15° 24° 36°	LED 18W /1600lm	LENS Δ 15° 24° 36°	LED 18W /1600lm
4000K	ADJUSTABLE 0-30°/355°	LENS Δ 15° 24° 36°	ADJUSTABLE 0-30°/355°	LENS Δ 15° 24° 36°
5000K	220-240V /50-60Hz	ADJUSTABLE 0-30°/355°	220-240V /50-60Hz	ADJUSTABLE 0-30°/355°
	□ IP20	□ IP20	□ IP20	□ IP20
	NON DIM TRAC 1-10V DALI	NON DIM TRAC 1-10V DALI	NON DIM TRAC 1-10V DALI	NON DIM TRAC 1-10V DALI

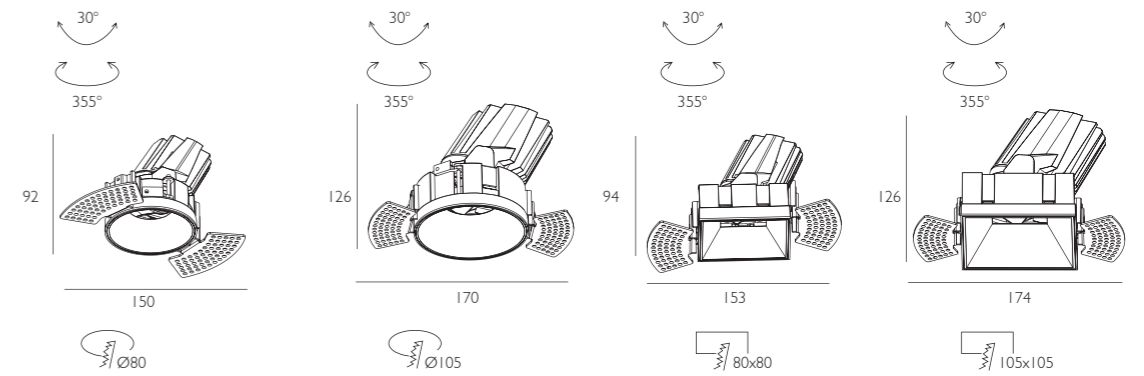
INSTALLATION



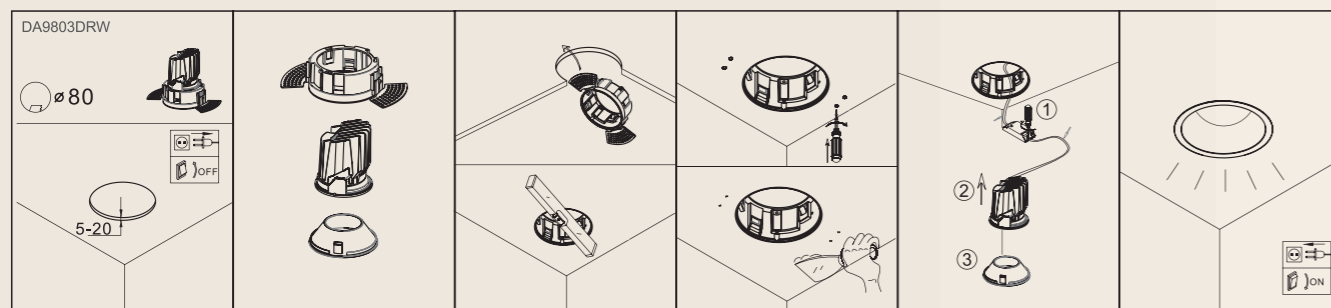


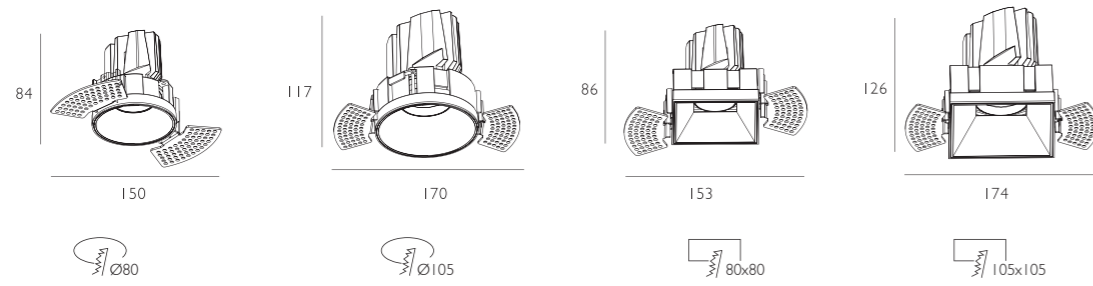
	RDS9803NR	RDS9804NR	SDS9803NS	SDS9804NS
CRI 90				
2700K	LED 7W /550lm	LED 12W /1000lm	LED 7W /550lm	LED 12W /1000lm
3000K	LENS Δ 15° 24° 36°	LED 18W /1600lm	LENS Δ 15° 24° 36°	LED 18W /1600lm
4000K	NO ADJUSTABLE	LENS Δ 15° 24° 36°	NO ADJUSTABLE	LENS Δ 15° 24° 36°
5000K	220-240V /50-60Hz	NO ADJUSTABLE	220-240V /50-60Hz	NO ADJUSTABLE
	220-240V /50-60Hz	220-240V /50-60Hz	220-240V /50-60Hz	220-240V /50-60Hz
	□ IP20	□ IP20	□ IP20	□ IP20





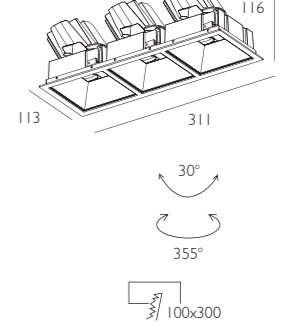
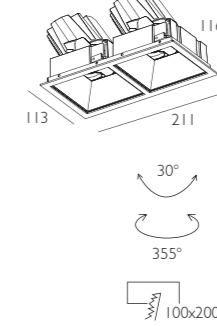
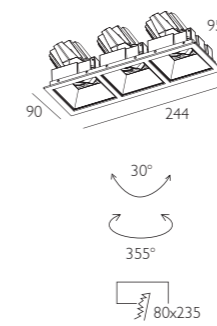
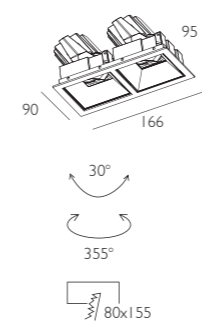
	RDS9803DRW	RDS9804DRW	SDS9803DSW	SDS9804DSW
CRI 90				
2700K	LED 7W /550lm	LED 12W /1000lm	LED 7W /550lm	LED 12W /1000lm
3000K	LENS Δ 15° 24° 36°	LED 18W /1600lm	LENS Δ 15° 24° 36°	LED 18W /1600lm
4000K	ADJUSTABLE 0-30°/355°	LENS Δ 15° 24° 36°	ADJUSTABLE 0-30°/355°	LENS Δ 15° 24° 36°
5000K	220-240V /50-60Hz	ADJUSTABLE 0-30°/355°	220-240V /50-60Hz	ADJUSTABLE 0-30°/355°
	□ IP20	□ IP20	□ IP20	□ IP20
	NON DIM TRAC 1-10V DALI	NON DIM TRAC 1-10V DALI	NON DIM TRAC 1-10V DALI	NON DIM TRAC 1-10V DALI





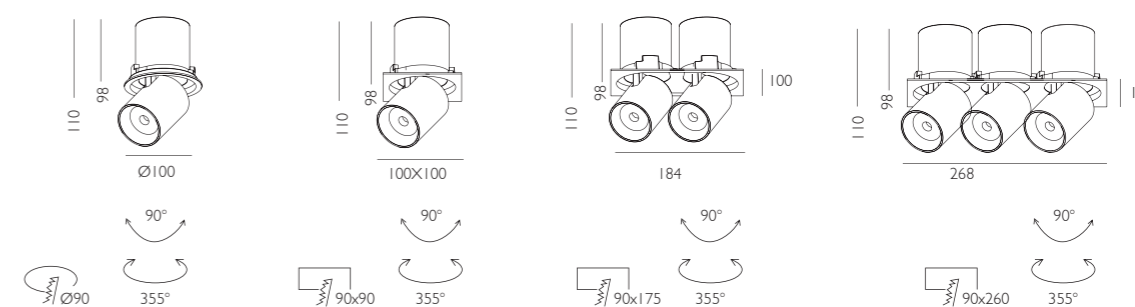
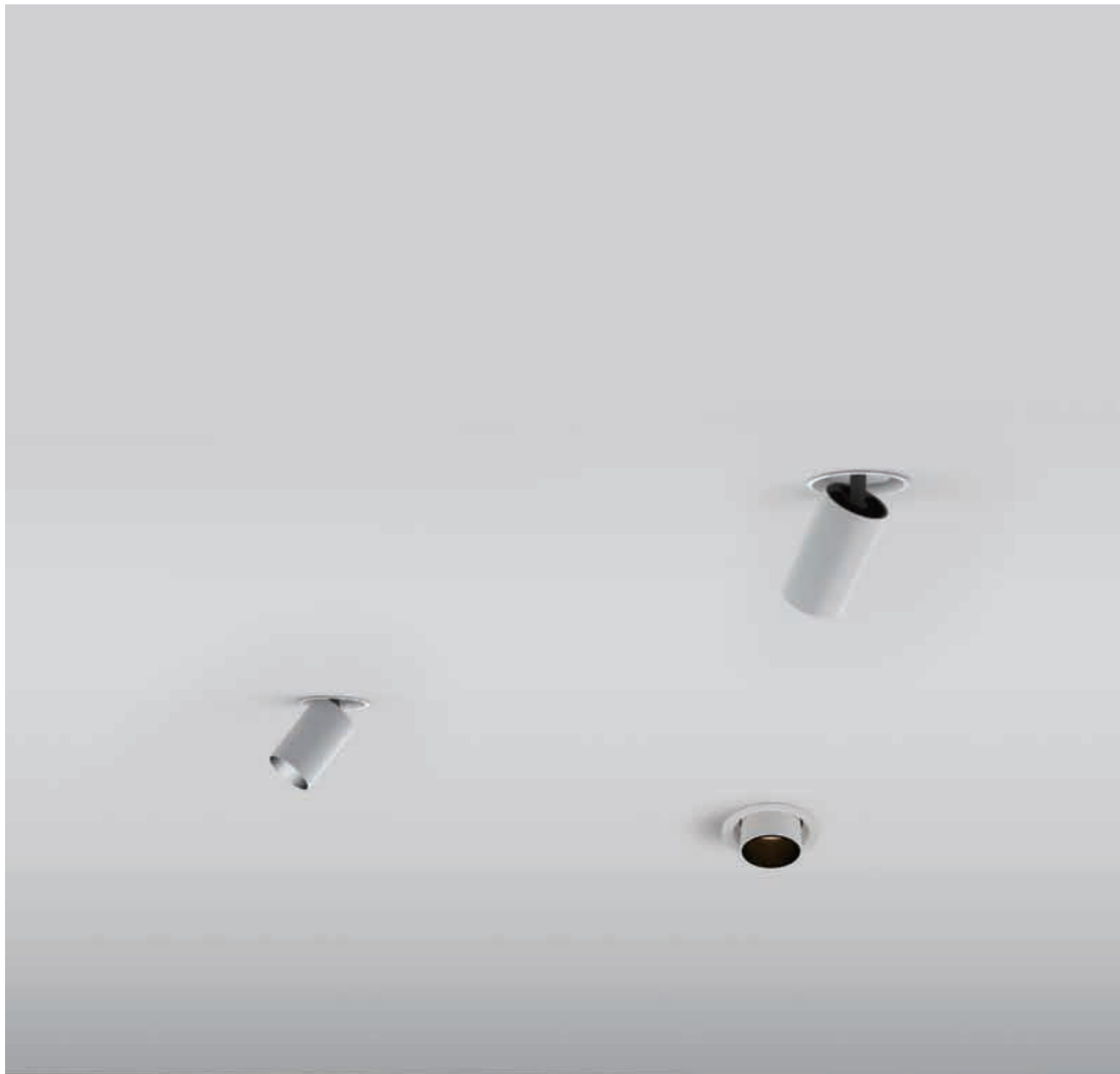
	RDS9803NRW	RDS9804NRW	SDS9803NSW	SDS9804NSW
CRI 90	LED 7W /550lm	LED 12W /1000lm	LED 7W /550lm	LED 12W /1000lm
2700K	LENS Δ 15° 24° 36°	LED 18W /1600lm	LENS Δ 15° 24° 36°	LED 18W /1600lm
3000K	NO ADJUSTABLE	LENS Δ 15° 24° 36°	NO ADJUSTABLE	LENS Δ 15° 24° 36°
4000K	220-240V /50-60Hz	NO ADJUSTABLE	220-240V /50-60Hz	NO ADJUSTABLE
5000K	□ IP20	220-240V /50-60Hz	□ IP20	220-240V /50-60Hz



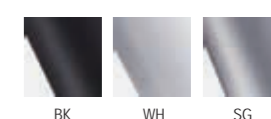


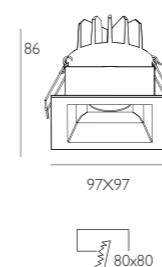
	SDD9823DS	SDT9833DS	SDD9824DS	SDT9834DS
CRI 90				
2700K	LED 7Wx2 / 1100lm	LED 7Wx3 / 1650lm	LED 12Wx2 / 2000lm	LED 12Wx3 / 3000lm
3000K	LENS Δ 15° 24° 36°	LENS Δ 15° 24° 36°	LED 18Wx2 / 3200lm	LED 18Wx3 / 4800lm
4000K	ADJUSTABLE 0-30°/355°	ADJUSTABLE 0-30°/355°	LENS Δ 15° 24° 36°	LENS Δ 15° 24° 36°
5000K	ADJUSTABLE 0-30°/355°	ADJUSTABLE 0-30°/355°	ADJUSTABLE 0-30°/355°	ADJUSTABLE 0-30°/355°
	220-240V /50-60Hz	220-240V /50-60Hz	220-240V /50-60Hz	220-240V /50-60Hz
	□ IP20	□ IP20	□ IP20	□ IP20





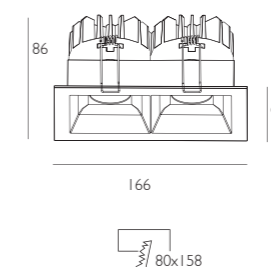
	RDS3003RR	RDS3003RS	RDD3023RS	RDT3033RS
CRI 90	LED 12W /1000lm	LED 12W /1000lm	LED 12Wx2 /2000lm	LED 12Wx3 /3000lm
2700K	LENS Δ 12° 24° 38°	LENS Δ 12° 24° 38°	LENS Δ 12° 24° 38°	LENS Δ 12° 24° 38°
3000K	ADJUSTABLE 0-90°/355°	ADJUSTABLE 0-90°/355°	ADJUSTABLE 0-90°/355°	ADJUSTABLE 0-90°/355°
4000K	220-240V /50-60Hz	220-240V /50-60Hz	220-240V /50-60Hz	220-240V /50-60Hz
5000K	□ IP20	□ IP20	□ IP20	□ IP20





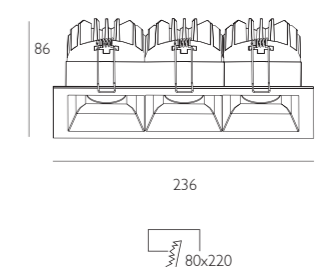
97X97

80x80



166

80x158

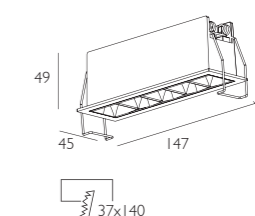
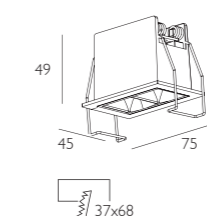
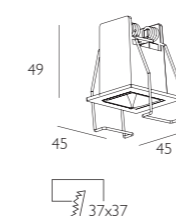


236

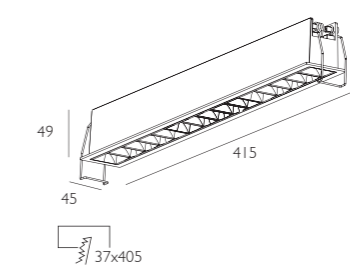
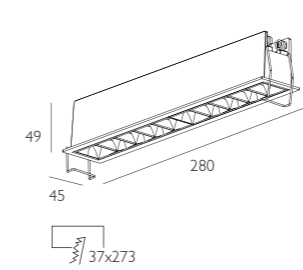
80x220



	SDS5013NS	SDD5023NS	SDT5033NS
CRI 90			
2700K	LED 12W /1000lm	LED 12Wx2 /2000lm	LED 12Wx3 /3000lm
3000K	LENS Δ 15° 30° 45°	LENS Δ 15° 30° 45°	LENS Δ 15° 30° 45°
4000K	NO ADJUSTABLE	NO ADJUSTABLE	NO ADJUSTABLE
5000K	220-240V /50-60Hz	220-240V /50-60Hz	220-240V /50-60Hz
	<input type="checkbox"/> IP20	<input type="checkbox"/> IP20	<input type="checkbox"/> IP20
	<input type="checkbox"/> NON DIM <input type="checkbox"/> TRAC <input type="checkbox"/> 1-10V <input type="checkbox"/> DALI	<input type="checkbox"/> NON DIM <input type="checkbox"/> TRAC <input type="checkbox"/> 1-10V <input type="checkbox"/> DALI	<input type="checkbox"/> NON DIM <input type="checkbox"/> TRAC <input type="checkbox"/> 1-10V <input type="checkbox"/> DALI

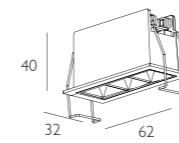
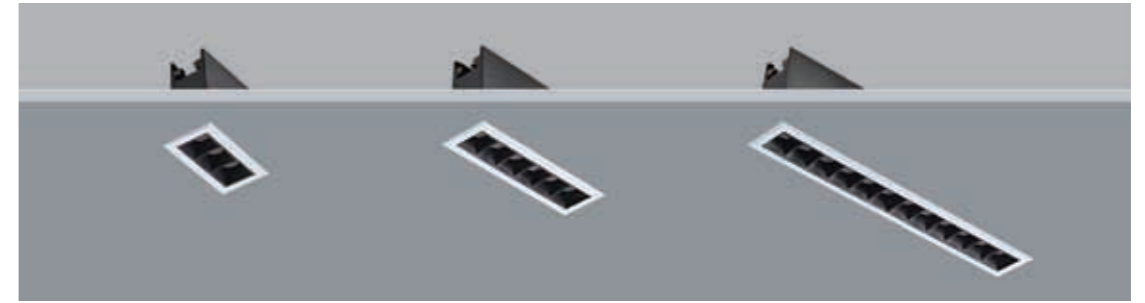


	SDS4001NS	SDS4002NS	SDS4005NS
CR1 90	LED 2W /140lm	LED 2Wx2/280lm	LED 2Wx5 /790lm
2700K	LENS Δ 15° 30° 45°	LENS Δ 15° 30° 45°	LENS Δ 15° 30° 45°
3000K	NO ADJUSTABLE	NO ADJUSTABLE	NO ADJUSTABLE
4000K	220-240V /50-60Hz	220-240V /50-60Hz	220-240V /50-60Hz
5000K	□ IP20	□ IP20	□ IP20

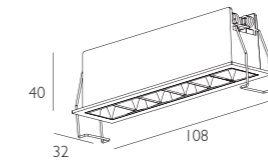


	SDS4010NS	SDS4015NS
CR1 90	LED 2Wx10 /1400lm	LED 2Wx15 /2100lm
2700K	LENS Δ 15° 30° 45°	LENS Δ 15° 30° 45°
3000K	NO ADJUSTABLE	NO ADJUSTABLE
4000K	220-240V /50-60Hz	220-240V /50-60Hz
5000K	□ IP20	□ IP20

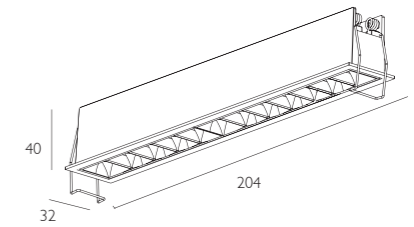




28x48

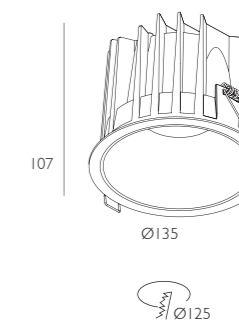
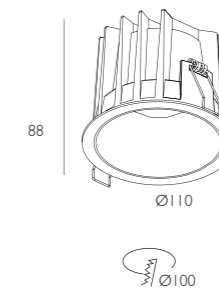
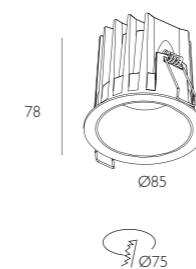
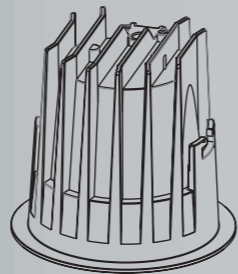
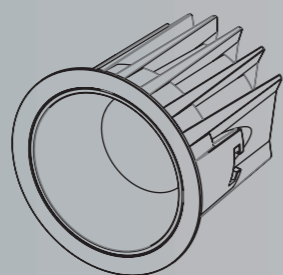
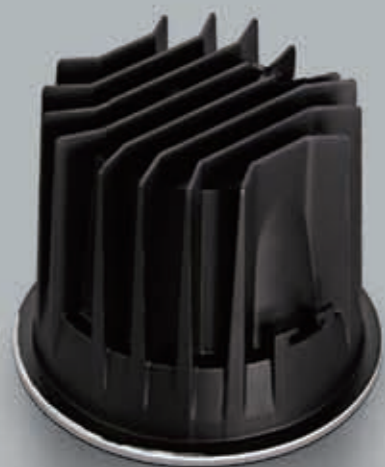
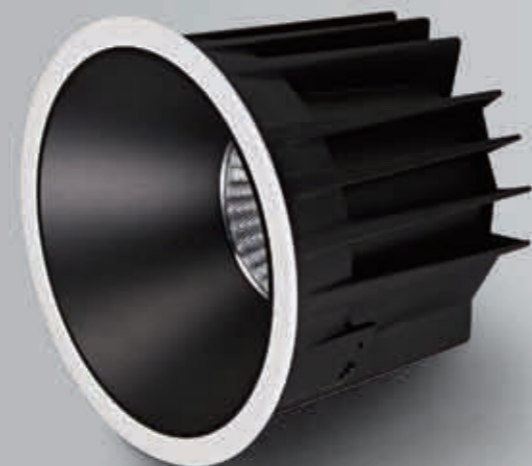


28x104



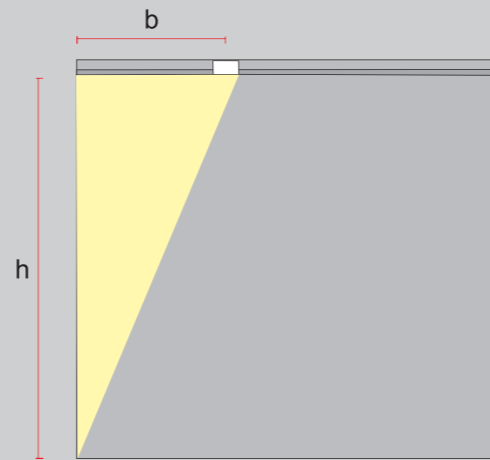
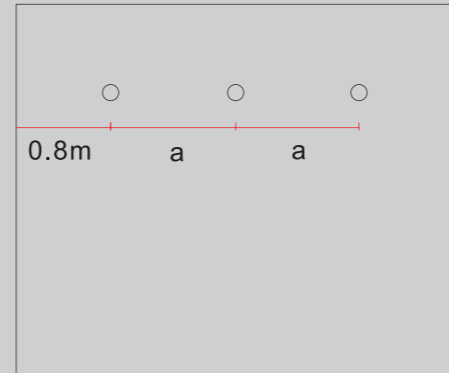
28x200

	SDS3203NS	SDS3206NS	SDS3212NS
CRI 90	LED 1Wx3 /270lm	LED 1Wx6 /500lm	LED 1Wx12 /1000lm
2700K	LENS Δ 30°	LENS Δ 30°	LENS Δ 30°
3000K	NO ADJUSTABLE	NO ADJUSTABLE	NO ADJUSTABLE
4000K	220-240V /50-60Hz	220-240V /50-60Hz	220-240V /50-60Hz
5000K	□ IP20	□ IP20	□ IP20

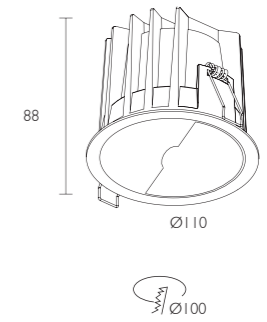
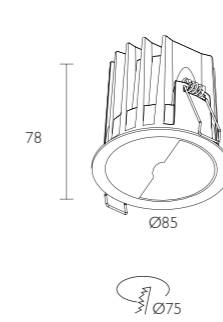


	RDS9603NR	RDS9604NR	RDS9605NR
CR1 90	LED 12W /1000lm	LED 18W /1600lm	LED 30W /2500lm
2700K	LENS Δ 15° 24° 38° 45° 60°	LENS Δ 15° 24° 38° 45° 60°	LENS Δ 15° 24° 38° 45° 60°
3000K	NO ADJUSTABLE	NO ADJUSTABLE	NO ADJUSTABLE
4000K	220-240V /50-60Hz	220-240V /50-60Hz	220-240V /50-60Hz
5000K	<input type="checkbox"/> IP20	<input type="checkbox"/> IP20	<input type="checkbox"/> IP20
	<input type="checkbox"/> NON DIM <input type="checkbox"/> TRAC <input type="checkbox"/> 1-10V <input type="checkbox"/> DALI	<input type="checkbox"/> NON DIM <input type="checkbox"/> TRAC <input type="checkbox"/> 1-10V <input type="checkbox"/> DALI	<input type="checkbox"/> NON DIM <input type="checkbox"/> TRAC <input type="checkbox"/> 1-10V <input type="checkbox"/> DALI

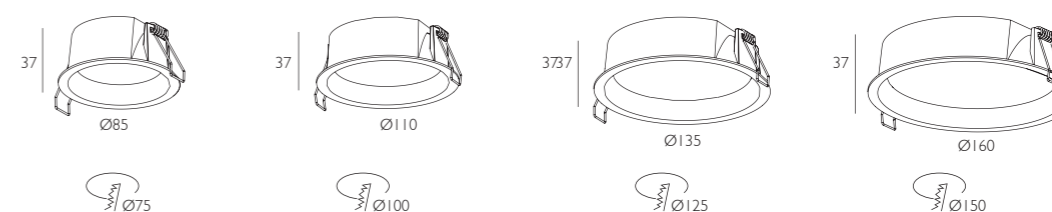
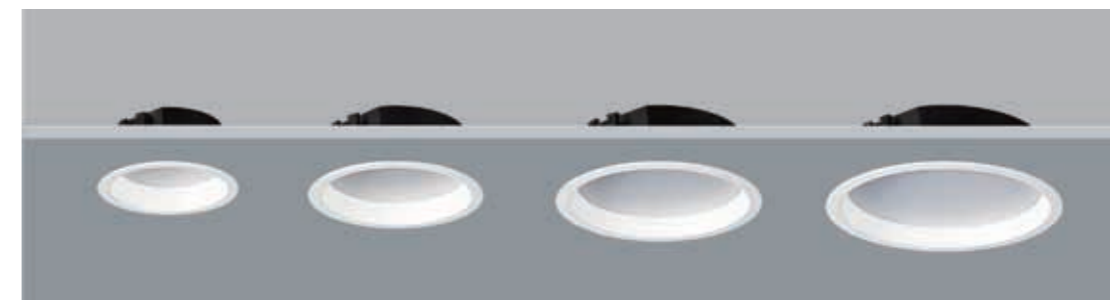




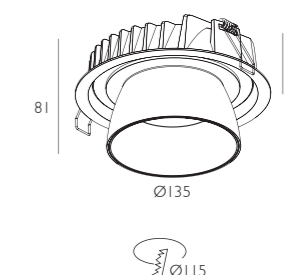
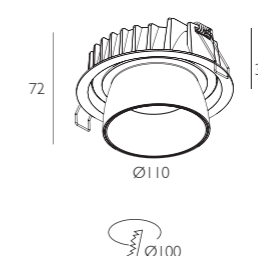
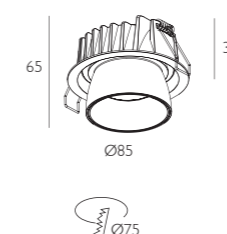
$a=1/4h$	$a=b$
h	3m 4m
a	0.75m 1m
b	0.75m 1m



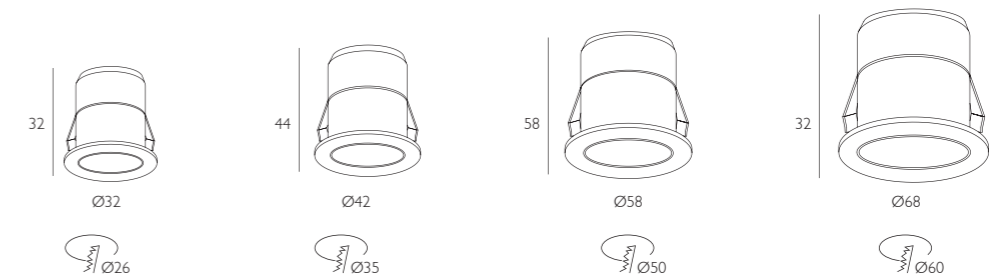
	RDSW9603NR	RDSW9603NR
CRI 90	LED 10W /700lm	LED 18W /1500lm
2700K		
3000K	LENS \triangle Wallwasher	LENS \triangle Wallwasher
4000K	NO ADJUSTABLE	NO ADJUSTABLE
5000K	220-240V /50-60Hz	220-240V /50-60Hz
	<input type="checkbox"/> IP20	<input type="checkbox"/> IP20
	<input type="checkbox"/> NON DIM <input type="checkbox"/> TRAC <input type="checkbox"/> 1-10V <input type="checkbox"/> DALI	<input type="checkbox"/> NON DIM <input type="checkbox"/> TRAC <input type="checkbox"/> 1-10V <input type="checkbox"/> DALI



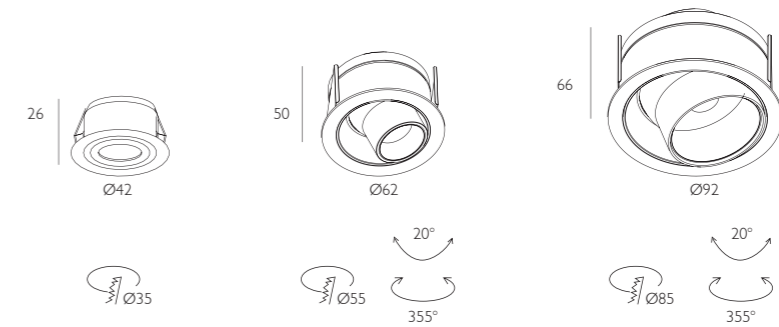
	RDS8503NR	RDS8504NR	RDS8505NR	RDS8506NR
CRI 90				
2700K	LED 7W /600lm	LED 12W /1000lm	LED 18W /1600lm	LED 24W /2200lm
3000K	LENS Δ 100°	LENS Δ 100°	LENS Δ 100°	LENS Δ 100°
4000K	NO ADJUSTABLE	NO ADJUSTABLE	NO ADJUSTABLE	NO ADJUSTABLE
6000K	220-240V /50-60Hz	220-240V /50-60Hz	220-240V /50-60Hz	220-240V /50-60Hz
	□ IP20	□ IP20	□ IP20	□ IP20



	RDS9003NR	RDS9004NR	RDS9005NR
CR190	LED 7W /500lm	LED 12W /1000lm	LED 18W /1600lm
2700K	LENS Δ 12° 24° 36°	LENS Δ 12° 24° 36°	LENS Δ 12° 24° 36°
3000K	NO ADJUSTABLE	NO ADJUSTABLE	NO ADJUSTABLE
4000K	220-240V /50-60Hz	220-240V /50-60Hz	220-240V /50-60Hz
5000K	□ IP20	□ IP20	□ IP20

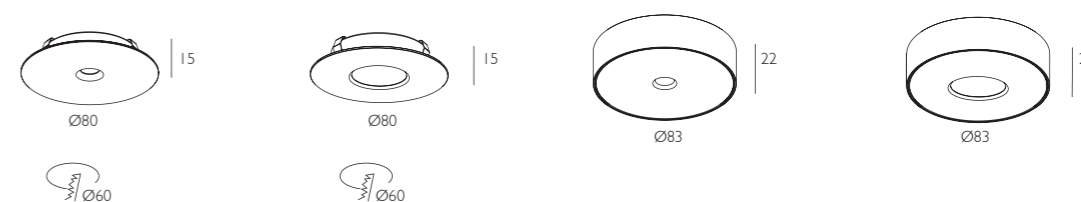
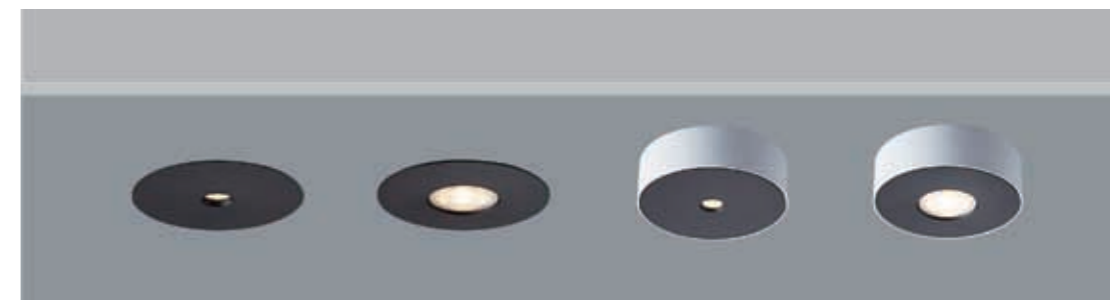
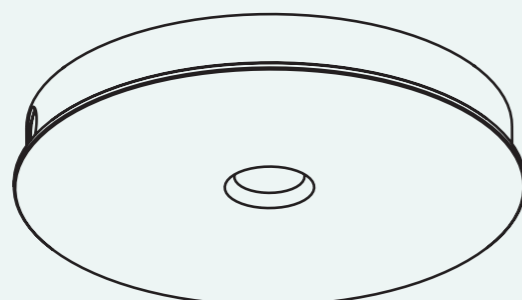
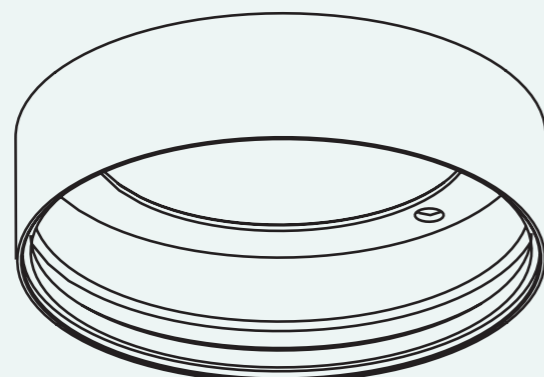


	RDS1011NR	RDS2011NR	RDS2012NR	RDS2013NR
CR1 90				
2700K	LED 3W /160lm	LED 3W /160lm	LED 5W /500lm	LED 7W /700lm
3000K	LENS Δ 15° 24° 36°	LENS Δ 8° 15° 24° 36°	LENS Δ 15° 24° 36°	LENS Δ 15° 24° 36°
4000K	NO ADJUSTABLE	NO ADJUSTABLE	NO ADJUSTABLE	NO ADJUSTABLE
5000K	220-240V /50-60Hz	220-240V /50-60Hz	220-240V /50-60Hz	220-240V /50-60Hz
	□ IP20	□ IP20	□ IP20	□ IP20



	RDS1021NR	RDS7202DR	RDS7203NR
CR190	LED 3W /160lm	LED 3W /160lm	LED 9W /800lm
2700K	LENS Δ 8° 15° 24° 36°	LENS Δ 12° 24° 36°	LENS Δ 12° 24° 36°
3000K	NO ADJUSTABLE	ADJUSTABLE 0-20°/355°	ADJUSTABLE 0-20°/355°
4000K	220-240V /50-60Hz	220-240V /50-60Hz	220-240V /50-60Hz
5000K	□ IP20	□ IP20	□ IP20
	NON DIM TRAC 1-10V DALI	NON DIM TRAC 1-10V DALI	NON DIM TRAC 1-10V DALI



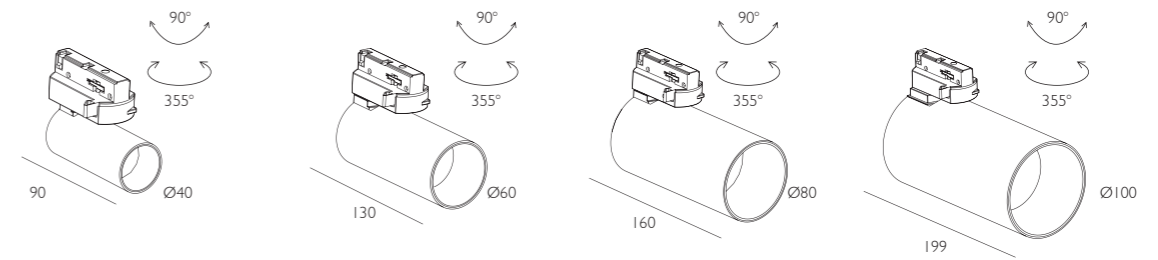


	RWS8003NR	RWS8103NR	WSR8003NR	WSR8103NR
CR1 90	LED 3W /160lm	LED 5W /380lm	LED 3W /160lm	LED 5W /380lm
2700K				
3000K	LENS Δ 10° 20° 30°	LENS Δ 15° 24° 36°	LENS Δ 10° 20° 30°	LENS Δ 15° 24° 36°
4000K	NO ADJUSTABLE	NO ADJUSTABLE	NO ADJUSTABLE	NO ADJUSTABLE
5000K	220-240V /50-60Hz	220-240V /50-60Hz	DC700mA(2.8-3.4V)	DC150mA (36V typ.)
	□ IP20	□ IP20	◇ IP20	◇ IP20
	NON DIM TRAC 1-10V DALI	NON DIM TRAC 1-10V DALI	NON DIM TRAC 1-10V DALI	NON DIM TRAC 1-10V DALI



TRACK LIGHT
series



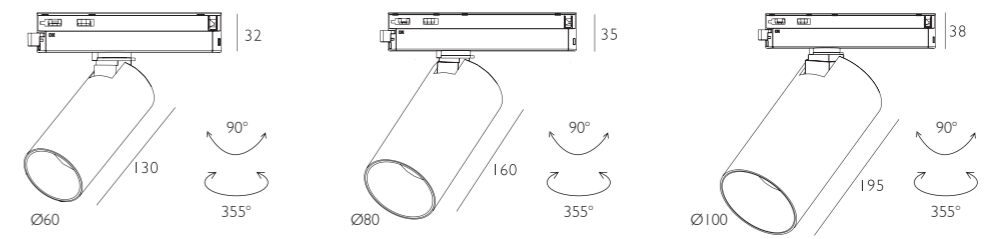


	WIO3040R/T03	WIO3060R/T03	WIO3080R/T03	WIO3100R/T03
CR I 90	LED 5W /380 lm	LED 12W /1000lm	LED 18W /1600lm	LED 30W /2500lm
2700K	LENS Δ 15° 24° 36°	LENS Δ 12° 24° 36°	LENS Δ 12° 24° 36°	LENS Δ 12° 24° 36°
3000K	ADJUSTABLE 0-90°/ 355°	ADJUSTABLE 0-90°/ 355°	ADJUSTABLE 0-90°/ 355°	ADJUSTABLE 0-90°/ 355°
4000K	220-240V /50-60Hz	220-240V /50-60Hz	220-240V /50-60Hz	220-240V /50-60Hz
5000K	IP20	IP20	IP20	IP20
	NON DIM TRAC	NON DIM TRAC	NON DIM TRAC	NON DIM TRAC

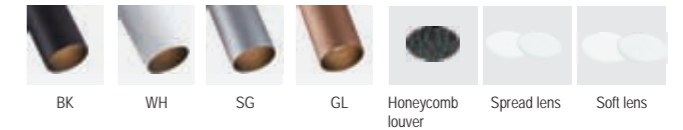


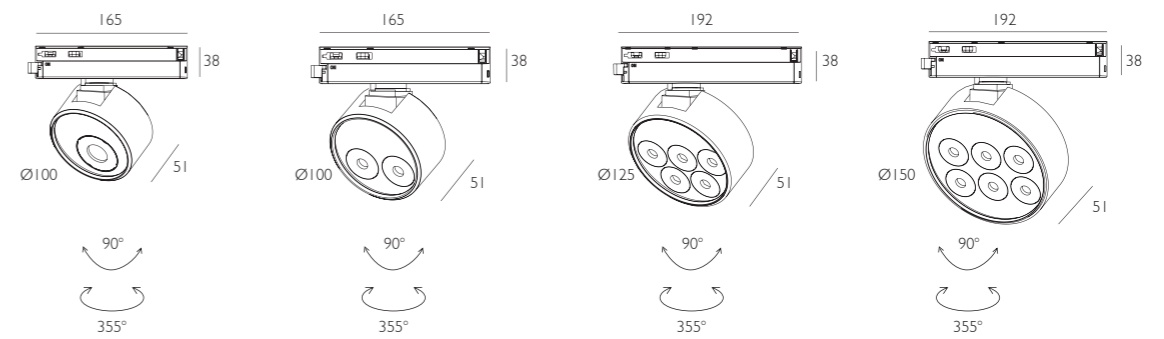
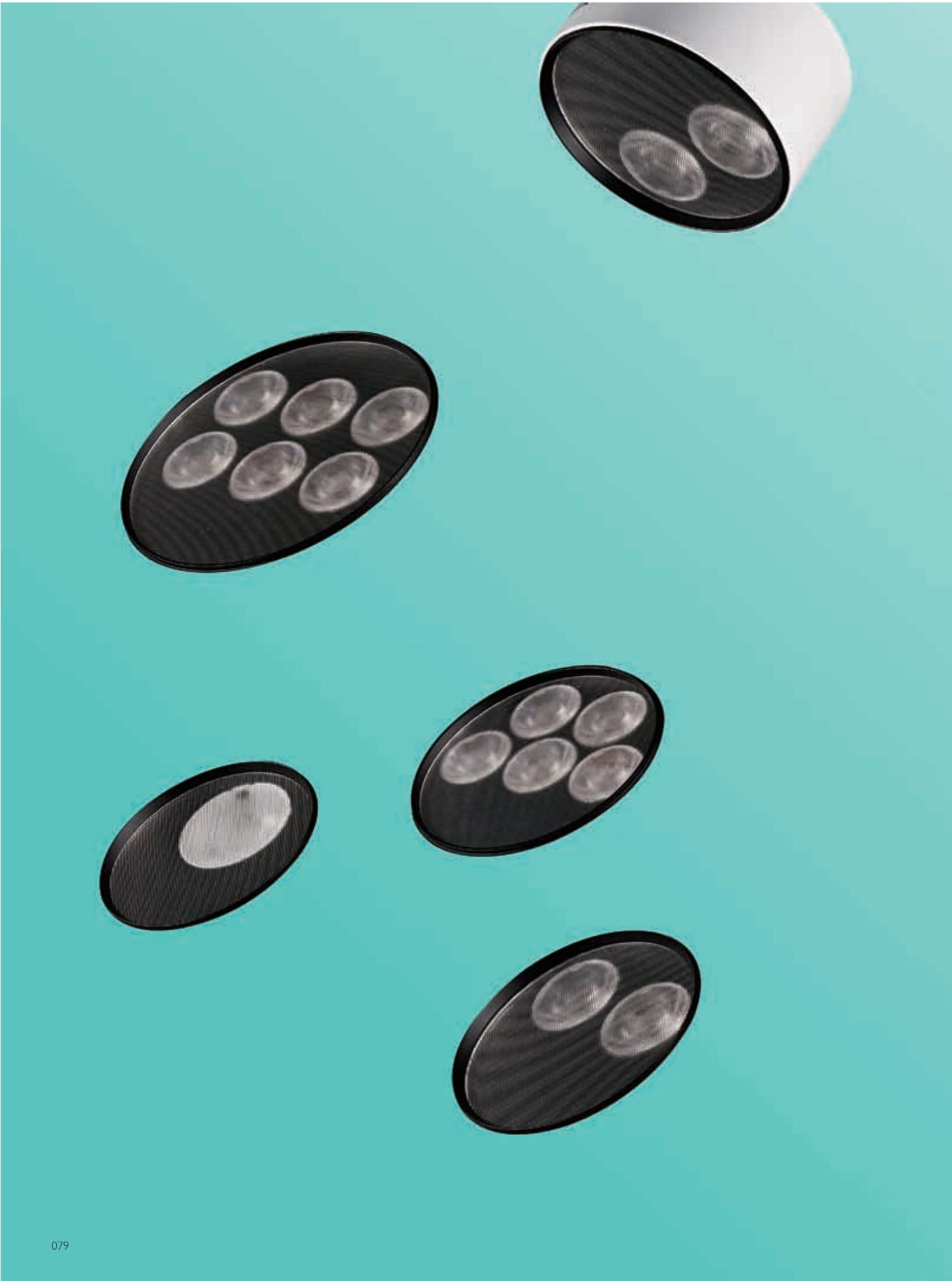
Honeycomb louver Spread lens Soft lens





	NIO3060R/T23	NIO3080R/T23	NIO3100R/T23
CR190	LED 18W /1600lm	LED 24W /2000lm	LED 35W /3000lm
2700K	LENS Δ 12° 24° 36°	LENS Δ 12° 24° 36°	LENS Δ 12° 24° 36°
3000K	ADJUSTABLE 0-90°/ 355°	ADJUSTABLE 0-90°/ 355°	ADJUSTABLE 0-90°/ 355°
4000K	220-240V /50-60Hz	220-240V /50-60Hz	220-240V /50-60Hz
5000K	IP20	IP20	IP20
	NON DIM TRAC 1-10V DALI	NON DIM TRAC 1-10V DALI	NON DIM TRAC 1-10V DALI

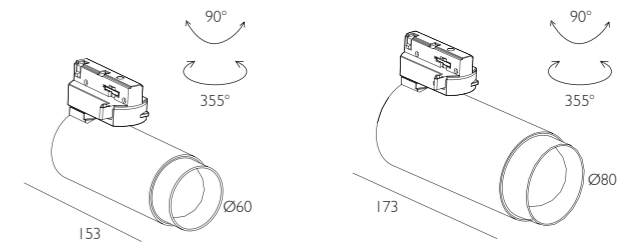
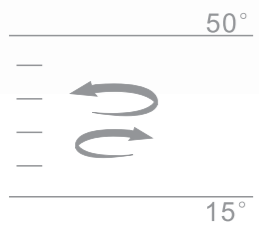




	PU8101R/T23	PU8100R/T23	PU8120R/T23	PU8150R/T23
CRI 90				
2700K	LED 12W /1000lm	LED 12W /1000lm	LED 25W /2300lm	LED 32W /2800lm
3000K	LED 18W /1600lm	LENS Δ 15° 24° 36°	LENS Δ 15° 24° 36°	LENS Δ 15° 24° 36°
4000K	LENS Δ 15° 24° 36°	ADJUSTABLE 0-90°/355°	ADJUSTABLE 0-90°/355°	ADJUSTABLE 0-90°/355°
5000K	ADJUSTABLE 0-90°/355°	220-240V /50-60Hz	220-240V /50-60Hz	220-240V /50-60Hz
	220-240V /50-60Hz	IP20	IP20	IP20
	IP20	NON DIM TRAC 1-10V DALI	NON DIM TRAC 1-10V DALI	NON DIM TRAC 1-10V DALI



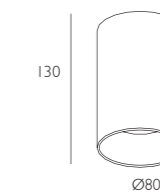
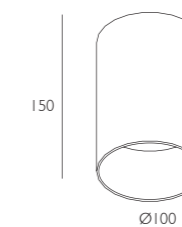
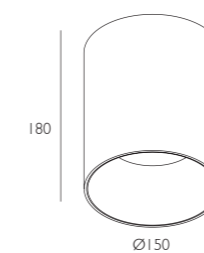
Beam angle Changeable Spot Light



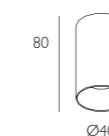
	AB3060R/T03	AB3080R/T03
CRI 90		
2700K	LED 7W /1000lm	LED 18W /1600lm
3000K	LENS Δ 15°-50°	LENS Δ 12°-55°
4000K	ADJUSTABLE 0-90°/ 355°	ADJUSTABLE 0-90°/ 355°
5000K	220-240V /50-60Hz	220-240V /50-60Hz
	IP20	IP20
	NON DIM TRAC	NON DIM TRAC



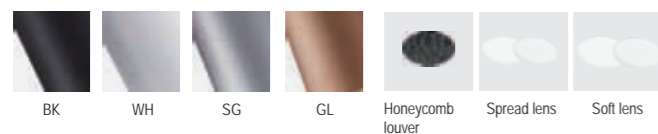
CEILING SURFACE LIGHT
series

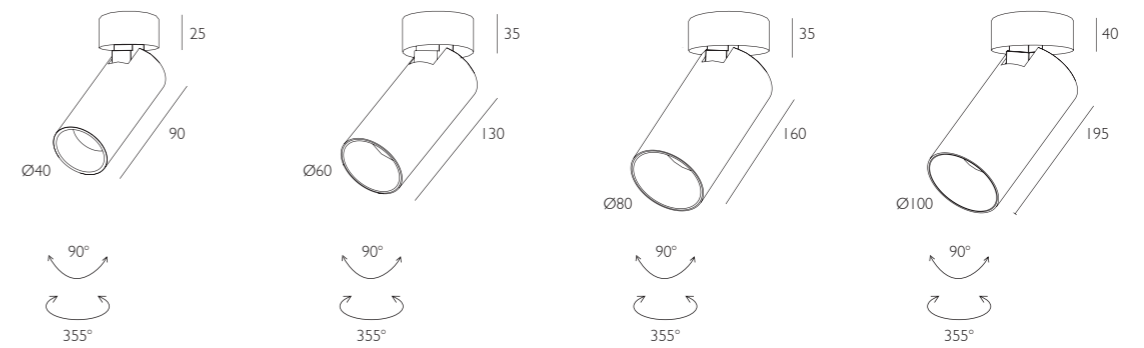
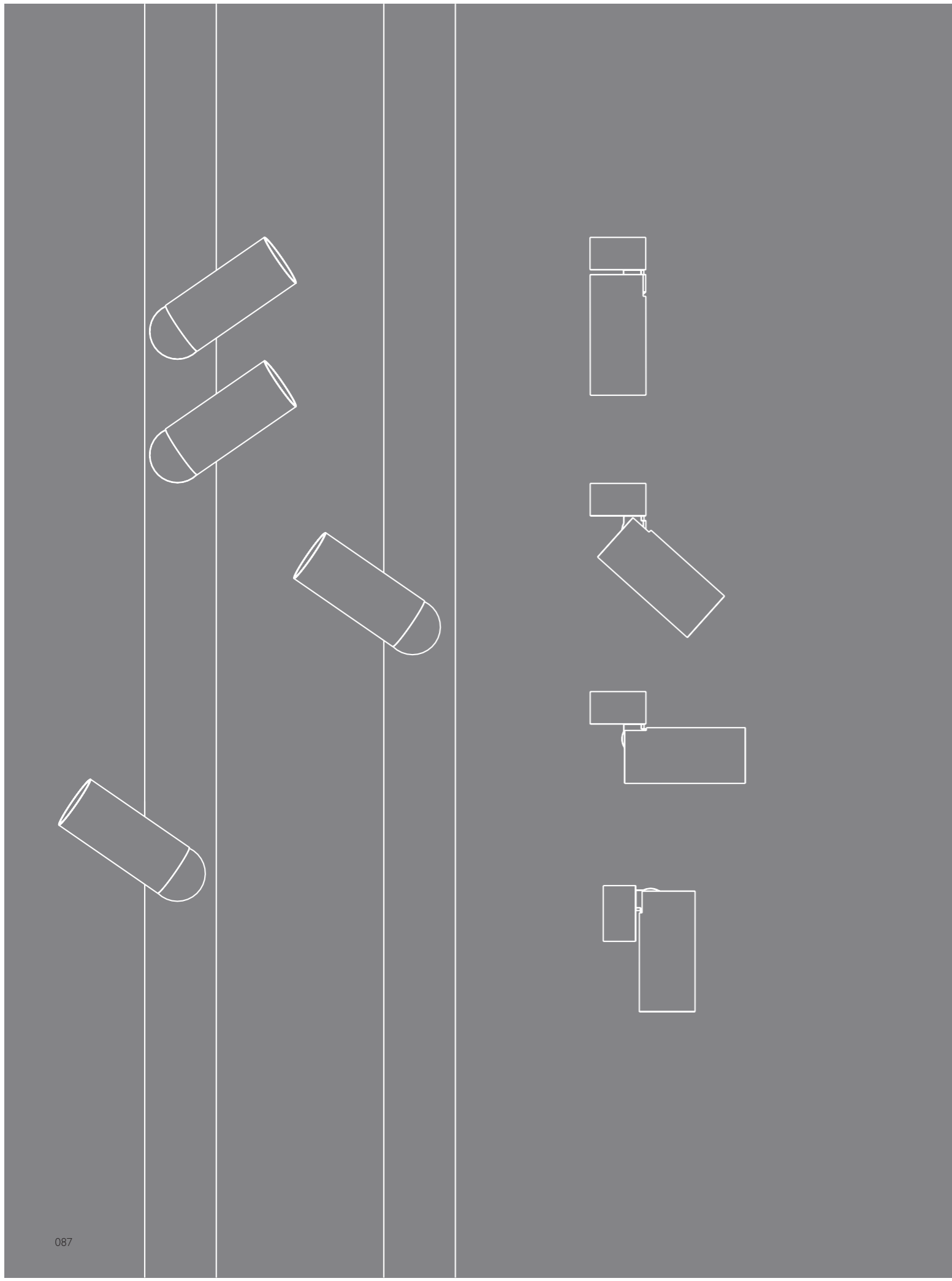


	CM3150NR	CM3100NR	CM3080NR
CRI 90	LED 35W /3000lm	LED 24W /2100lm	LED 18W /1600lm
2700K	LENS Δ 12° 24° 36°	LENS Δ 12° 24° 36°	LENS Δ 12° 24° 36°
3000K	NO ADJUSTABLE	NO ADJUSTABLE	NO ADJUSTABLE
4000K	220-240V /50-60Hz	220-240V /50-60Hz	220-240V /50-60Hz
5000K	IP20	IP20	IP20
	NON DIM TRAC 5-10V DALI	NON DIM TRAC	NON DIM TRAC



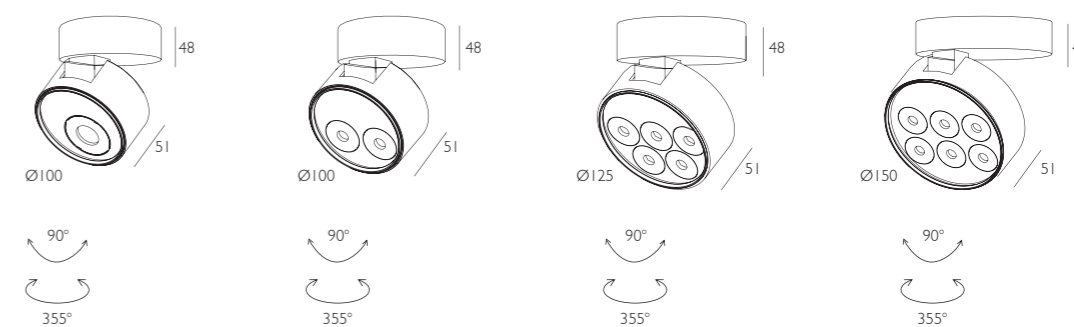
	CM3060NR	CM3040NR
CRI 90	LED 12W /1000lm	LED 5W /380lm
2700K	LENS Δ 12° 24° 36°	LENS Δ 15° 24° 36°
3000K	NO ADJUSTABLE	NO ADJUSTABLE
4000K	220-240V /50-60Hz	220-240V /50-60Hz
5000K	IP20	IP20
	NON DIM TRAC	NON DIM





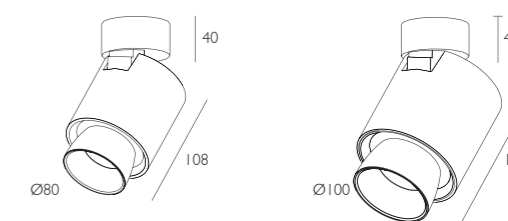
	CM3040DR	CM3060DR	CM3080DR	CM3100DR
CRI 90				
2700K	LED 5W /380lm	LED 12W /1000lm	LED 18W /1600lm	LED 24W /2000lm
3000K	LENS Δ 15° 24° 36°	LENS Δ 12° 24° 36°	LENS Δ 12° 24° 36°	LENS Δ 15° 24° 36°
4000K	ADJUSTABLE 0-90°/355°	ADJUSTABLE 0-90°/355°	ADJUSTABLE 0-90°/355°	ADJUSTABLE 0-90°/355°
5000K	220-240V /50-60Hz	220-240V /50-60Hz	220-240V /50-60Hz	220-240V /50-60Hz
	IP20	IP20	IP20	IP20



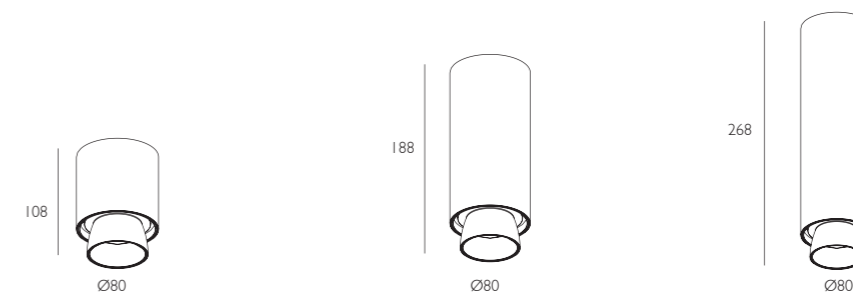


	CM8101DR	CM8100DR	CM8120DR	CM8150DR
CRI 90	LED 12W /1000lm	LED 12W /1000lm	LED 25W /2300lm	LED 32W /2800lm
2700K	LENS Δ 15° 24° 36°	LENS Δ 15° 24° 36°	LENS Δ 15° 24° 36°	LENS Δ 15° 24° 36°
3000K	ADJUSTABLE 0-90°/355°	ADJUSTABLE 0-90°/355°	ADJUSTABLE 0-90°/355°	ADJUSTABLE 0-90°/355°
4000K	220-240V /50-60Hz	220-240V /50-60Hz	220-240V /50-60Hz	220-240V /50-60Hz
5000K	IP20	IP20	IP20	IP20
	NON DIM TRAC	NON DIM TRAC	NON DIM TRAC	NON DIM TRAC

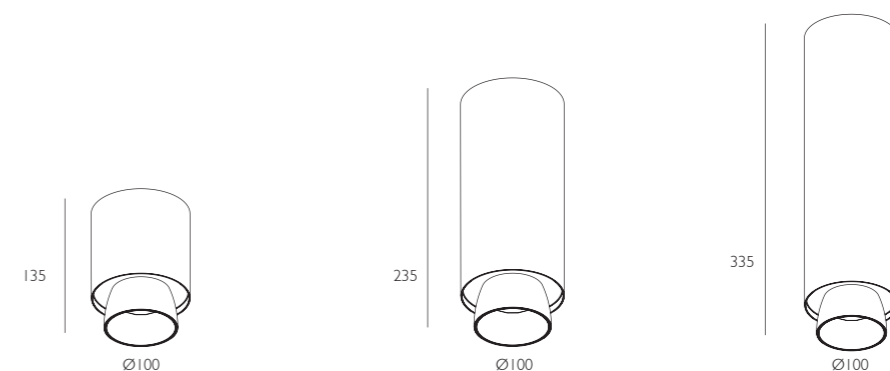




	CM9080DR	CM9100DR
CRI 90		
2700K	LED 12W /1000lm	LED 18W /1600lm
3000K	LENS Δ 12° 24° 36°	LENS Δ 12° 24° 36°
4000K	ADJUSTABLE 0-90°/ 355°	ADJUSTABLE 0-90°/ 355°
5000K	220-240V /50-60Hz	220-240V /50-60Hz
	IP20	IP20
	NON DIM TRAC	NON DIM TRAC



	CM9080NR	CM9081NR	CM9082NR
CRI 90	LED 12W /1000lm	LED 12W /1000lm	LED 12W /1000lm
2700K	LENS Δ 12° 24° 36°	LENS Δ 12° 24° 36°	LENS Δ 12° 24° 36°
3000K	ADJUSTABLE 0-90°/ 355°	ADJUSTABLE 0-90°/ 355°	ADJUSTABLE 0-90°/ 355°
4000K	220-240V /50-60Hz	220-240V /50-60Hz	220-240V /50-60Hz
5000K	IP20	IP20	IP20
	NON DIM TRAC	NON DIM TRAC	NON DIM TRAC

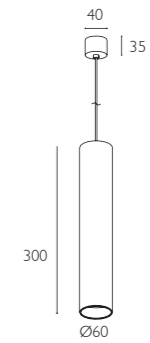
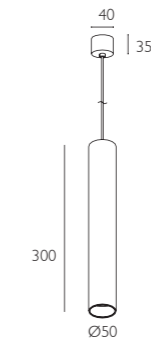
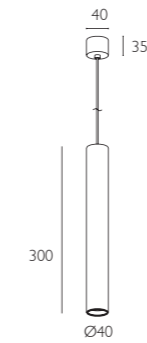


	CM9100NR	CM9101NR	CM9102NR
CRI 90	LED 12W /1000lm	LED 12W /1000lm	LED 12W /1000lm
2700K	LENS Δ 12° 24° 36°	LENS Δ 12° 24° 36°	LENS Δ 12° 24° 36°
3000K	ADJUSTABLE 0-90°/ 355°	ADJUSTABLE 0-90°/ 355°	ADJUSTABLE 0-90°/ 355°
4000K	220-240V /50-60Hz	220-240V /50-60Hz	220-240V /50-60Hz
5000K	IP20	IP20	IP20
	NON DIM TRAC	NON DIM TRAC	NON DIM TRAC

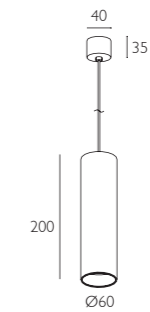
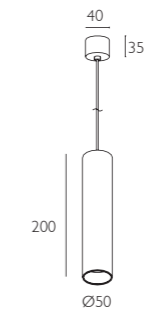
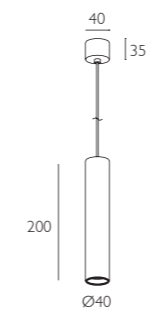




PENDANT LIGHTS
series

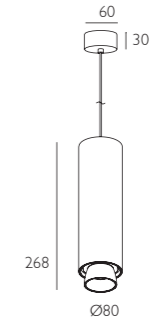
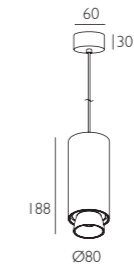
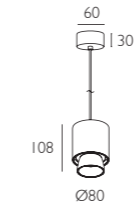


	CP4030NR	CP5030NR	CP6030NR
CRI 90	LED 5W /380lm	LED 9W /800lm	LED 12W /1000lm
2700K	LENS Δ 15° 24° 36°	LENS Δ 15° 24° 36°	LENS Δ 15° 24° 36°
3000K	NO ADJUSTABLE	NO ADJUSTABLE	NO ADJUSTABLE
4000K	220-240V /50-60Hz	220-240V /50-60Hz	220-240V /50-60Hz
5000K	IP20	IP20	IP20
	NON DIM	NON DIM	NON DIM

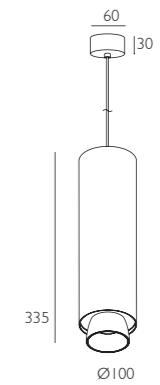
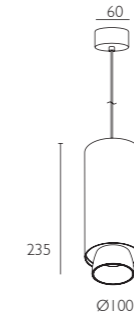
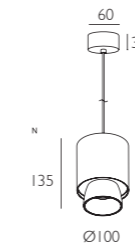


	CP4020NR	CP5020NR	CP6020NR
CRI 90	LED 5W /380lm	LED 9W /800lm	LED 12W /1000lm
2700K	LENS Δ 15° 24° 36°	LENS Δ 15° 24° 36°	LENS Δ 15° 24° 36°
3000K	NO ADJUSTABLE	NO ADJUSTABLE	NO ADJUSTABLE
4000K	220-240V /50-60Hz	220-240V /50-60Hz	220-240V /50-60Hz
5000K	IP20	IP20	IP20
	NON DIM	NON DIM	NON DIM

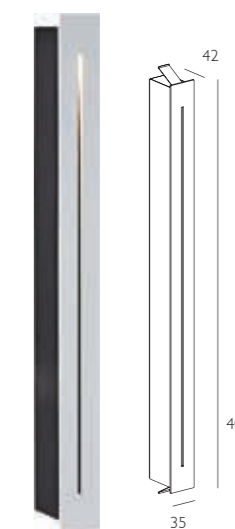
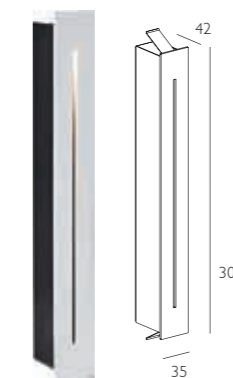
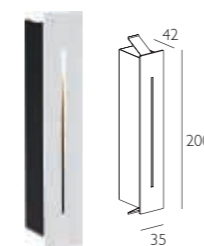




	CP9080NR	CP9081NR	CP9082NR
CR190			
2700K	LED 12W /1000lm	LED 12W /1000lm	LED 12W /1000lm
3000K	LENS Δ 12° 24° 36°	LENS Δ 12° 24° 36°	LENS Δ 12° 24° 36°
4000K	NO ADJUSTABLE	NO ADJUSTABLE	NO ADJUSTABLE
5000K	220-240V /50-60Hz	220-240V /50-60Hz	220-240V /50-60Hz
	IP20	IP20	IP20
	NON DIM TRAC 1-10V DALI	NON DIM TRAC 1-10V DALI	NON DIM TRAC 1-10V DALI



	CP9100NR	CP9101NR	CP9102NR
CR190			
2700K	LED 12W /1000lm	LED 12W /1000lm	LED 12W /1000lm
3000K	LENS Δ 12° 24° 36°	LENS Δ 12° 24° 36°	LENS Δ 12° 24° 36°
4000K	NO ADJUSTABLE	NO ADJUSTABLE	NO ADJUSTABLE
5000K	220-240V /50-60Hz	220-240V /50-60Hz	220-240V /50-60Hz
	IP20	IP20	IP20
	NON DIM TRAC 1-10V DALI	NON DIM TRAC 1-10V DALI	NON DIM TRAC 1-10V DALI

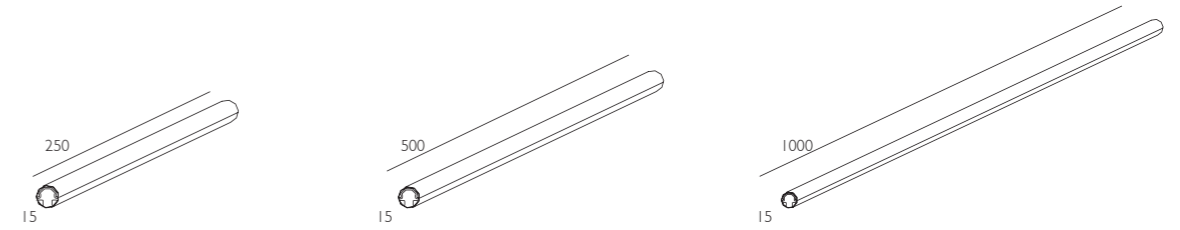


RERNER LIGHT
series

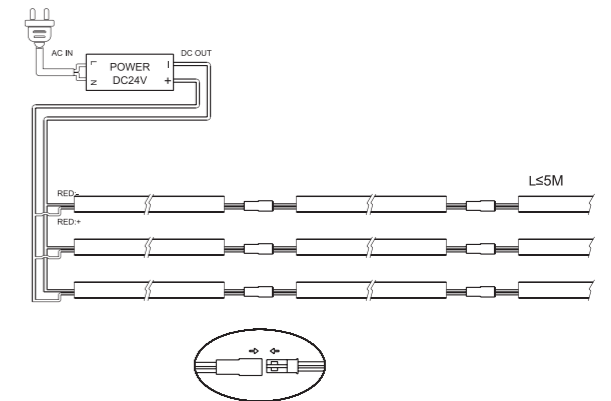
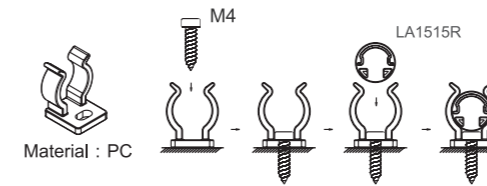
	FS1420NS	FS1430NS	FS1440NS
CRI 90	LED 3W /160lm	LED 3W /160lm	LED 3W /160lm
2700K	LENS Δ NA	LENS Δ NA	LENS Δ NA
3000K	NO ADJUSTABLE	NO ADJUSTABLE	NO ADJUSTABLE
4000K	220-240V /50-60Hz	220-240V /50-60Hz	220-240V /50-60Hz
5000K	□ IP20	□ IP20	□ IP20
	NON DIM	NON DIM	NON DIM

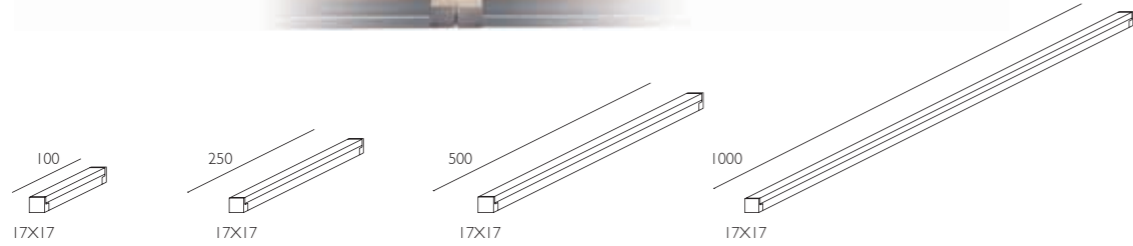


LINE LIGHT series

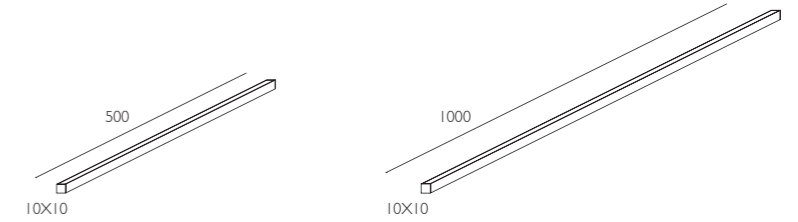


	BG1515R-010	BG1515R-030	BG1515R-050	BG1515R-100
CR1 90	LED 1.5W /90lm	LED 4.5W /270lm	LED 7.5W /450lm	LED 15W /900lm
2700K	LENS Δ 120°	LENS Δ 120°	LENS Δ 120°	LENS Δ 120°
3000K	NO ADJUSTABLE	NO ADJUSTABLE	NO ADJUSTABLE	NO ADJUSTABLE
4000K	DC 24V /50-60Hz	DC 24V /50-60Hz	DC 24V /50-60Hz	DC 24V /50-60Hz
5000K	IP20	IP20	IP20	IP20
	NON DIM TRAC 1-10V DALI	NON DIM TRAC 1-10V DALI	NON DIM TRAC 1-10V DALI	NON DIM TRAC 1-10V DALI

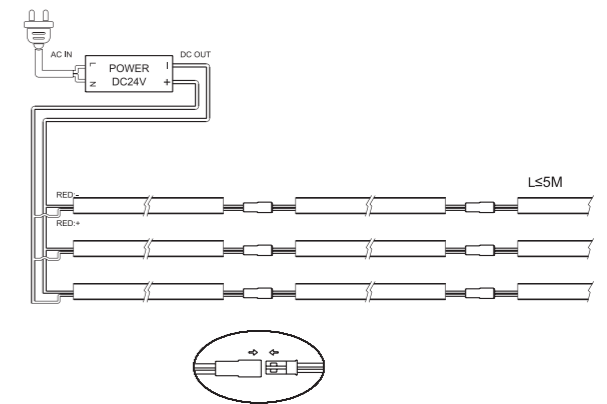
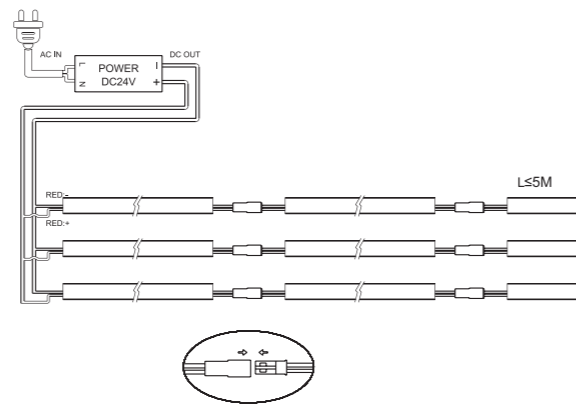
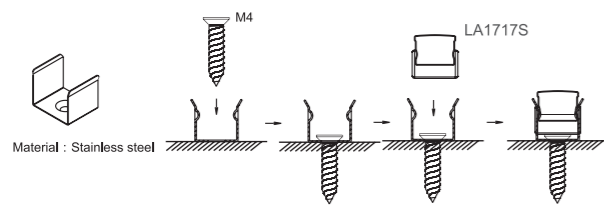




CRI 90	BG1717S-010	BG1717S-030	BG1717S-050	BG1717S-100
2700K	LED 1.5W /90lm	LED 4.5W /270lm	LED 7.5W /450lm	LED 15W /900lm
3000K	LENS Δ 120°	LENS Δ 120°	LENS Δ 120°	LENS Δ 120°
4000K	NO ADJUSTABLE	NO ADJUSTABLE	NO ADJUSTABLE	NO ADJUSTABLE
5000K	DC 24V /50-60Hz	DC 24V /50-60Hz	DC 24V /50-60Hz	DC 24V /50-60Hz
	IP20	IP20	IP20	IP20
	NON DIM, TRAC, 1-10V, DALI	NON DIM, TRAC, 1-10V, DALI	NON DIM, TRAC, 1-10V, DALI	NON DIM, TRAC, 1-10V, DALI

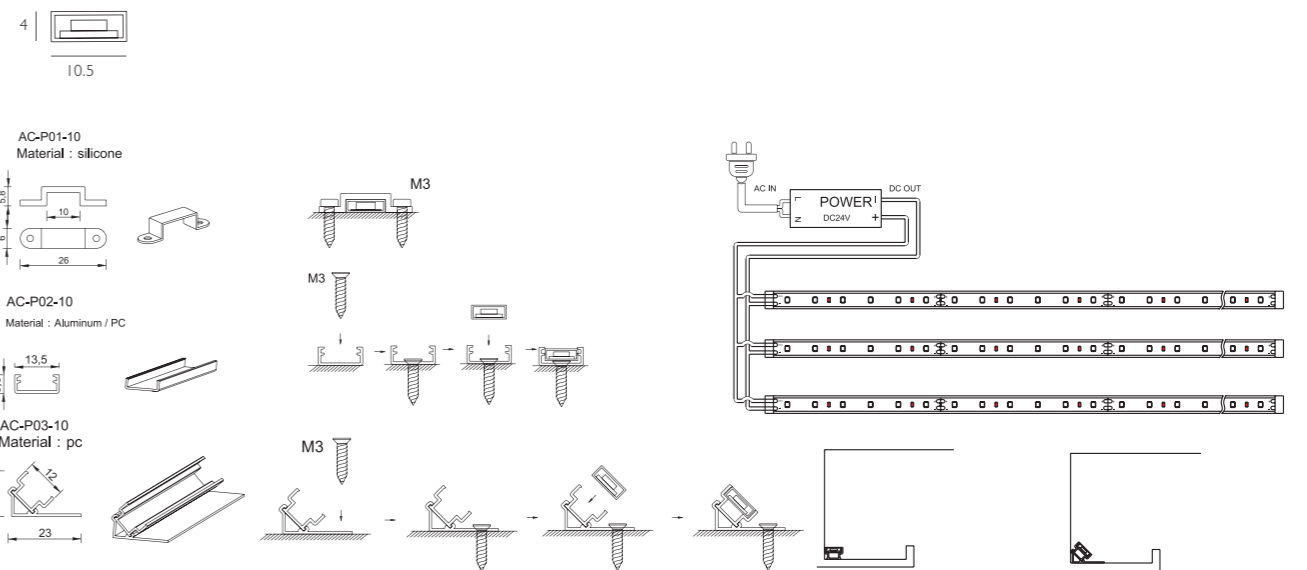


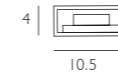
CRI 90	BG1010S-050	BG1010S-100
2700K	LED 5W /270lm	LED 10W /570lm
3000K	LENS Δ 110°	LENS Δ 110°
4000K	NO ADJUSTABLE	NO ADJUSTABLE
5000K	DC 24V /50-60Hz	DC 24V /50-60Hz
	IP20	IP20
	NON DIM, TRAC, 1-10V, DALI	NON DIM, TRAC, 1-10V, DALI





	STR1030	STR1060	STR1096	STR1120
CRI 90	LED 3W /180lm	LED 6W /360lm	LED 10W /540lm	LED 14W /800lm
2700K	LENS Δ 120°	LENS Δ 120°	LENS Δ 120°	LENS Δ 120°
3000K	NO ADJUSTABLE	NO ADJUSTABLE	NO ADJUSTABLE	NO ADJUSTABLE
4000K	DC 24V /50-60Hz	DC 24V /50-60Hz	DC 24V /50-60Hz	DC 24V /50-60Hz
5000K	IP44	IP44	IP44	IP44
	NON DIM TRAC 1-10V DALI	NON DIM TRAC 1-10V DALI	NON DIM TRAC 1-10V DALI	NON DIM TRAC 1-10V DALI

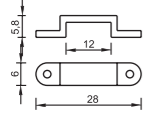




CRI 90	STR2060RGB	CRI 90	STR2120DC
RGB	LED 14W	2700K	LED 14W
	LENS Δ 120°	6000K	LENS Δ 120°
	NO ADJUSTABLE		NO ADJUSTABLE
	DC 24V /50-60Hz		DC 24V /50-60Hz
	IP44		IP44
	NON DIM / DIM		NON DIM / DIM / DALI

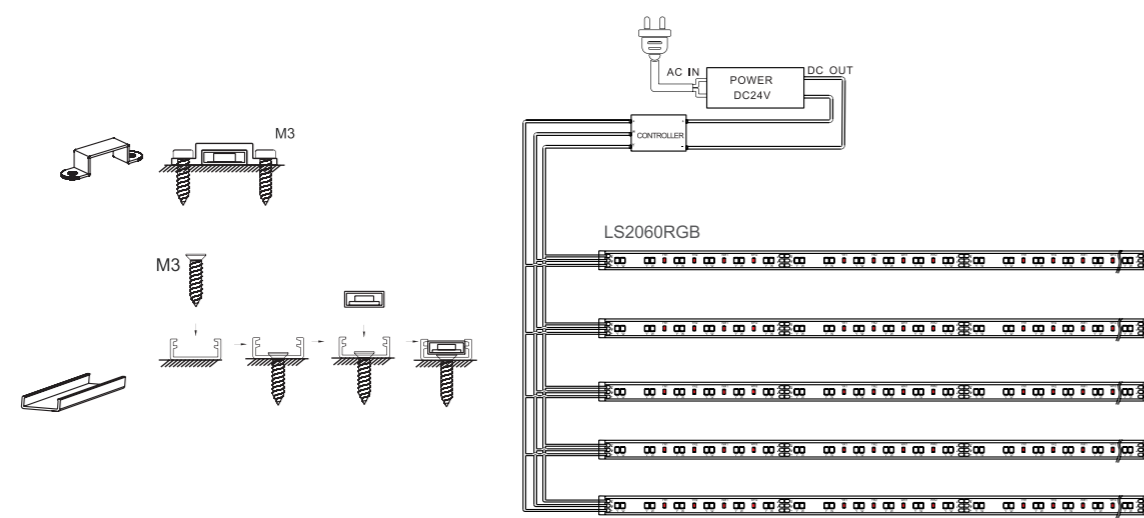
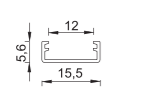
AC-P01-12

Material : silicone



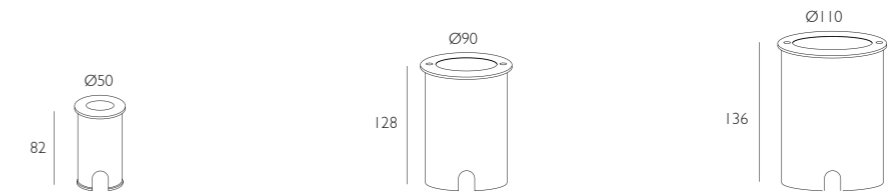
AC-P02-12

Material : Aluminum / PC





OUTDOOR LIGHT
series

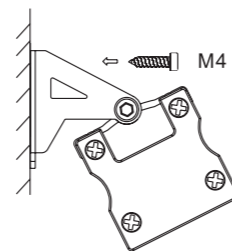
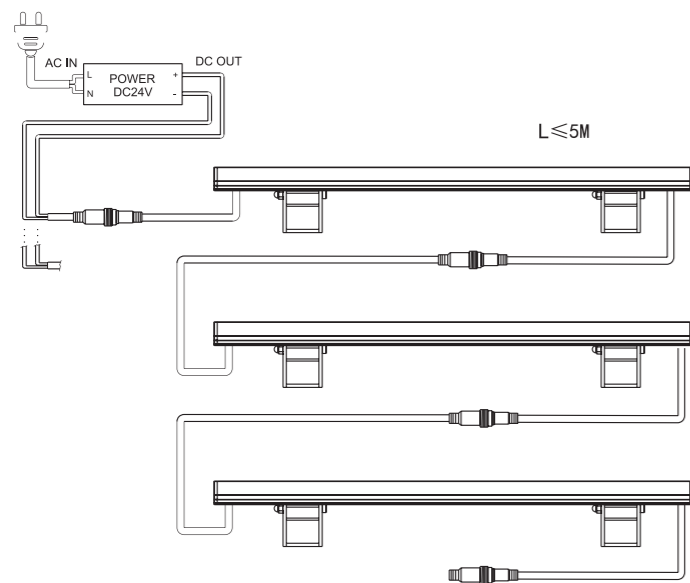


	GDO3050NR	GDO3090NR	GDO3100NR
CR190			
2700K	LED 3W /160lm	LED 5W /380lm	LED 9W /800lm
3000K	LENS Δ 15° 24° 36°	LENS Δ 15° 24° 36°	LENS Δ 15° 24° 36°
4000K	NO ADJUSTABLE	NO ADJUSTABLE	NO ADJUSTABLE
5000K	DC 24V	DC 24V	DC 24V
	IP67 IK10	IP67 IK10	IP67 IK10

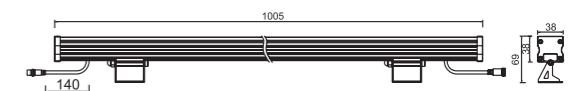
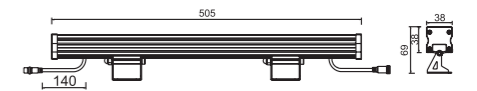
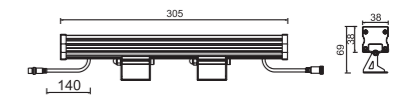


	GDO3090DR	GDO3100DR	
CR190			
2700K	LED 5W /380lm	LED 9W /800lm	
3000K	LENS Δ 15° 24° 36°	LENS Δ 15° 24° 36°	
4000K	ADJUSTABLE 0-20°	ADJUSTABLE 0-20°	Honeycomb louver
5000K	DC 24V	DC 24V	Spread lens
	IP67 IK10	IP67 IK10	Soft lens





Each set of line strips has a maximum length of 5 meters
Please ensure that it is carried out in case of power failure during installation and maintenance.



	CAB3818S	CAB3809S	CAB3806S
CR190	LED 24W /1800lm	LED 12W /900lm	LED 8W /600lm
2700K	LENS Δ 8° 12° 20° 30° 45° 10x60°	LENS Δ 8° 12° 20° 30° 45° 10x60°	LENS Δ 8° 12° 20° 30° 45° 10x60°
3000K	ADJUSTABLE 0-90°	ADJUSTABLE 0-90°	ADJUSTABLE 0-90°
4000K	DC 24V	DC 24V	DC 24V
5000K	◇ IP65	◇ IP65	◇ IP65
RGB	NON DIM, TMAC, 1-10V, DALI	NON DIM, TMAC, 1-10V, DALI	NON DIM, TMAC, 1-10V, DALI

EXPERT
IN
LIGHTING
SOLUTION

R U i Y U
EXPERT IN LIGHTING SOLUTION